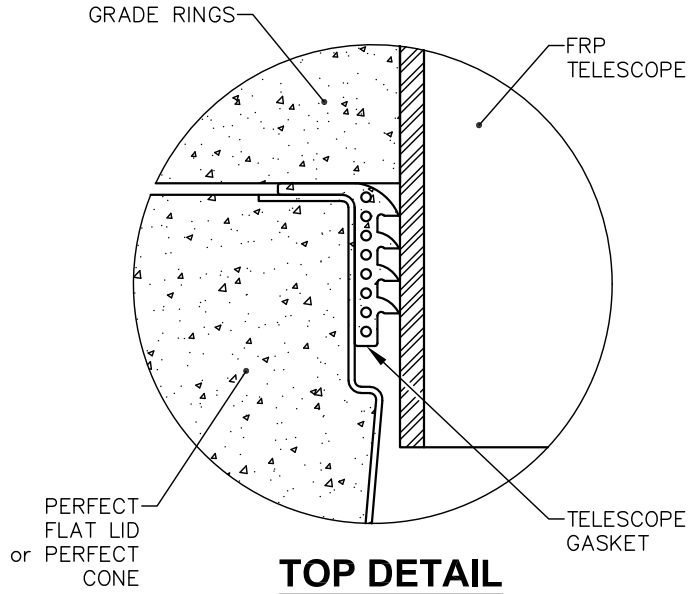
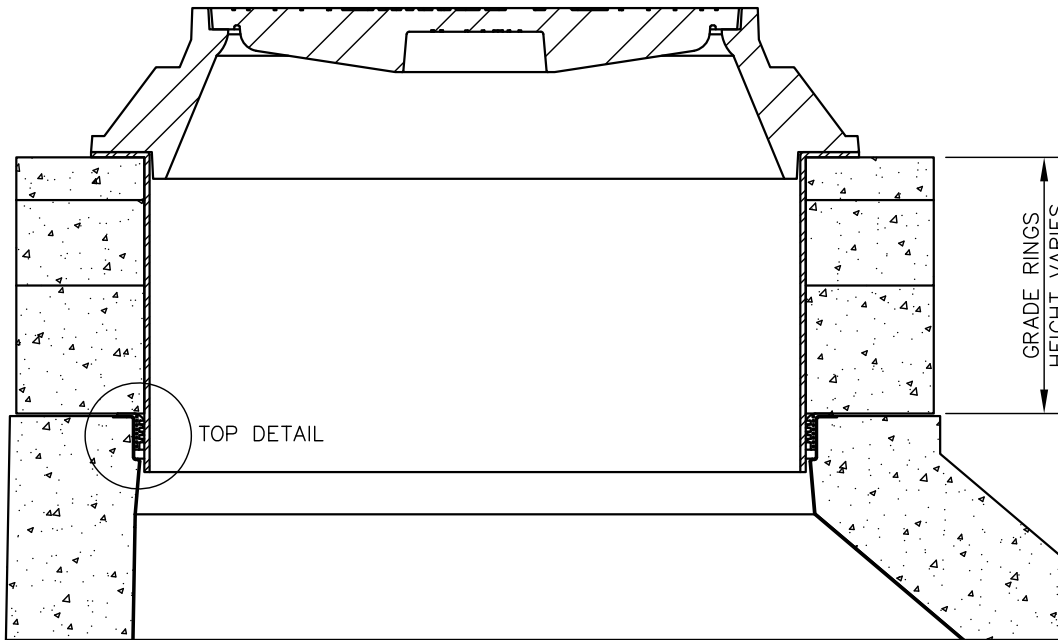


FRP TELESCOPE
ISOMETRIC VIEW



TOP DETAIL



FRP TELESCOPE DETAIL

	STRUCTURE: GRADE RING PROTECTION DETAIL		PROJECT: PERFECT LINED MANHOLE DETAIL	
	SCALE: N.T.S.	DRAWN: DDM	LOCATION: SALT LAKE - OREM - ST. GEORGE	SHEET: Sheet 1
	DATE: 7/15/2021	TITAN #: -	PH: 801-225-2416	