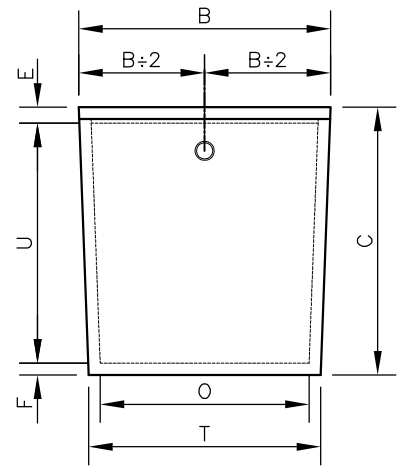
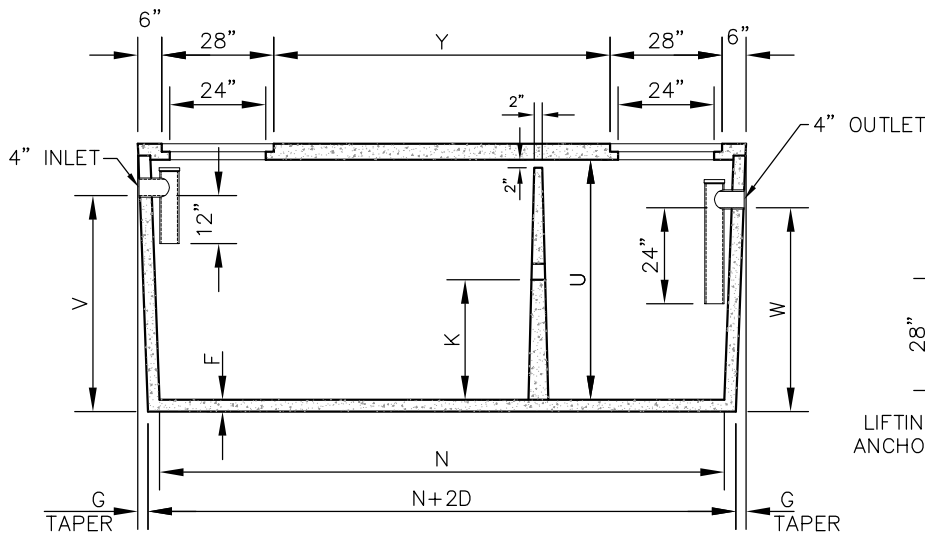


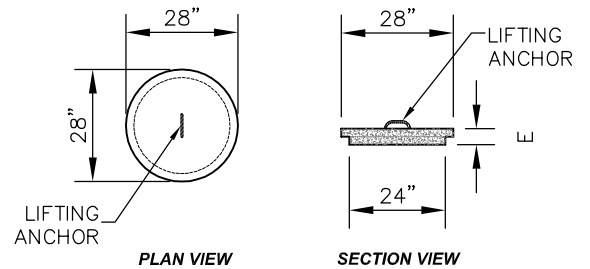
BASE - TOP VIEW



**90° ELEVATION
270° ELEVATION**



SECTION A-A



MANHOLE COVER DETAIL

NOTES:
1. CONCRETE GRADE RINGS & CAST IRON RING & COVER OPTIONAL

DOUBLE COMPARTMENT 4'-8" COVER

DIMENSION	A	B	C	D	E	F	G	K	L	M	N	O	P	Q	T	U	V	W	Y
1,000 GAL.	102"	63"	68"	3"	5"	3"	2½"	30"	96"	57"	91¼"	52¼"	63"	31"	58"	60"	54"	51"	34"
1,500 GAL.	152"	63"	69"	3"	6"	3"	2½"	30"	146"	57"	141¼"	52¼"	96"	48"	58"	60"	54"	51"	84"
1,750 GAL.	108"	78"	81"	3"	6"	4"	2½"	40"	102"	72"	97¼"	67¼"	54"	46"	73"	71"	66"	63"	40"
2,500 GAL.	156"	78"	81"	3"	6"	4"	2½"	40"	150"	72"	145¼"	67¼"	102"	46"	73"	71"	66"	63"	88"



GENEVA PIPE

SHEET: **SEPTIC TANK, DOUBLE COMPARTMENT**

SCALE: N.T.S. DRAWN: RMP
DATE: 8-8-2011 TITAN #: -

PROJECT: **STANDARD SEPTIC TANK DETAIL**

LOCATION: SALT LAKE - OREM - HURRICANE
PH: 801-225-2416

Drawing 1