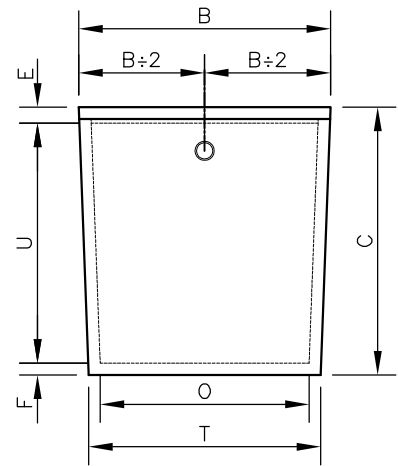
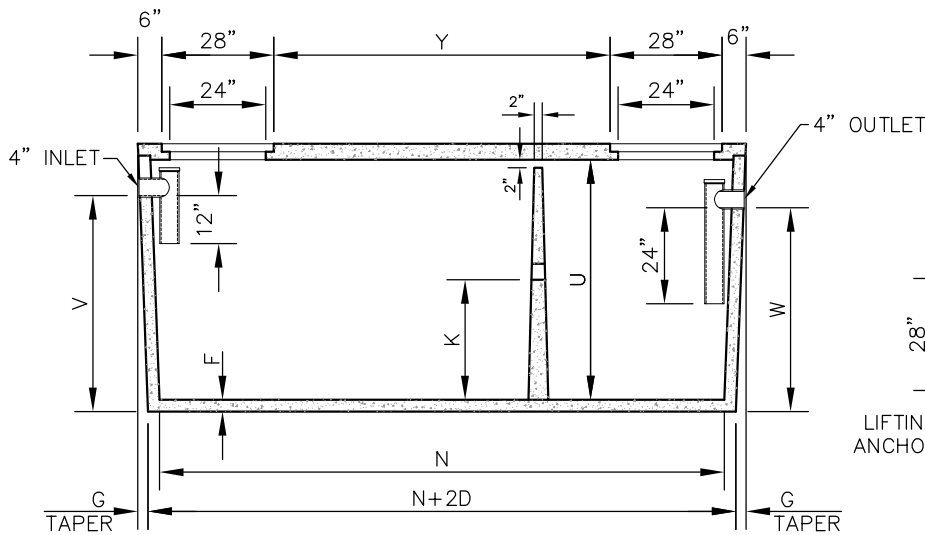


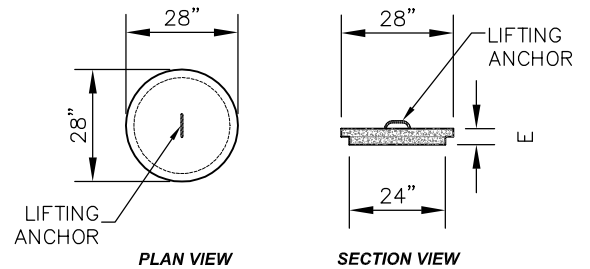
**BASE - TOP VIEW**



**90° ELEVATION  
270° ELEVATION**



**SECTION A-A**



**MANHOLE COVER DETAIL**

NOTES:  
1. CONCRETE GRADE RINGS & CAST IRON RING & COVER OPTIONAL

**DOUBLE COMPARTMENT 0'-4' COVER**

| DIMENSION  | A    | B   | C   | D  | E  | F  | G   | K   | L    | M   | N     | O    | P    | Q   | T   | U   | V   | W   | Y   |
|------------|------|-----|-----|----|----|----|-----|-----|------|-----|-------|------|------|-----|-----|-----|-----|-----|-----|
| 1,000 GAL. | 102" | 63" | 67" | 3" | 4" | 3" | 2½" | 30" | 96"  | 57" | 91¼"  | 52¼" | 63"  | 31" | 58" | 60" | 54" | 51" | 34" |
| 1,500 GAL. | 152" | 63" | 67" | 3" | 4" | 3" | 2½" | 30" | 146" | 57" | 141¼" | 52¼" | 96"  | 48" | 58" | 60" | 54" | 51" | 84" |
| 1,750 GAL. | 108" | 78" | 80" | 3" | 5" | 4" | 2½" | 40" | 102" | 72" | 97¼"  | 67¼" | 54"  | 46" | 73" | 71" | 66" | 63" | 40" |
| 2,500 GAL. | 156" | 78" | 80" | 3" | 5" | 4" | 2½" | 40" | 150" | 72" | 145¼" | 67¼" | 102" | 46" | 73" | 71" | 66" | 63" | 88" |



GENEVA PIPE

SHEET: **SEPTIC TANK, DOUBLE COMPARTMENT**

SCALE: N.T.S. DRAWN: RMP  
DATE: 8-8-2011 TITAN #: -

PROJECT: **STANDARD SEPTIC TANK DETAIL**

LOCATION: SALT LAKE - OREM - HURRICANE  
PH: 801-225-2416

Drawing 1