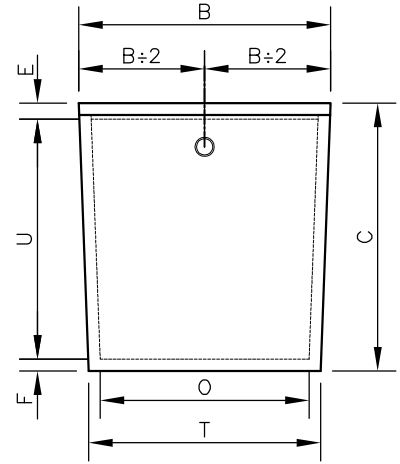
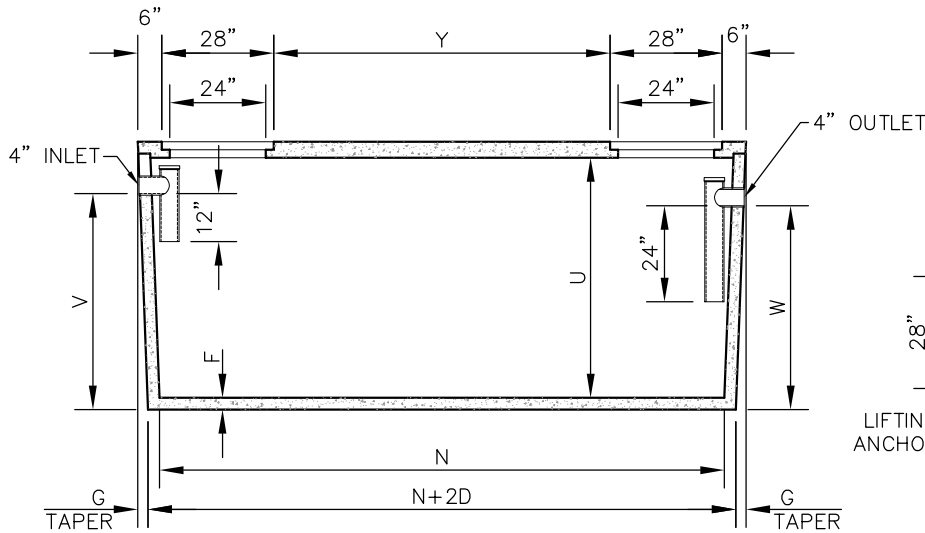


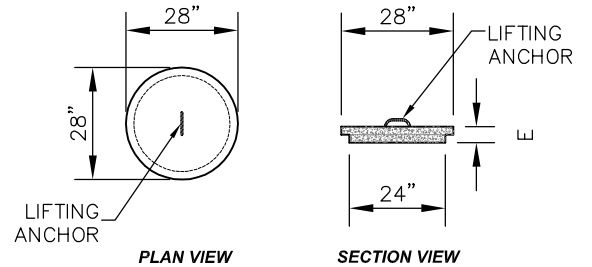
**BASE - TOP VIEW**



**90° ELEVATION  
270° ELEVATION**



**SECTION A-A**



**MANHOLE COVER DETAIL**

- NOTES:  
1. CONCRETE GRADE RINGS & CAST IRON RING & COVER OPTIONAL

**SINGLE COMPARTMENT 0'-4' COVER**

DIMENSION	A	B	C	D	E	F	G	L	M	N	O	T	U	V	W	Y
1,000 GAL.	102"	63"	67"	3"	4"	3"	2½"	96"	57"	91¼"	52¼"	58"	60"	54"	51"	34"
1,500 GAL.	152"	63"	67"	3"	4"	3"	2½"	146"	57"	141¼"	52¼"	58"	60"	54"	51"	84"
1,750 GAL.	108"	78"	80"	3"	5"	4"	2½"	102"	72"	97¼"	67¼"	73"	71"	66"	63"	40"
2,500 GAL.	156"	78"	80"	3"	5"	4"	2½"	150"	72"	145¼"	67¼"	73"	71"	66"	63"	88"



GENEVA PIPE

SHEET: **SEPTIC TANK, SINGLE COMPARTMENT**

SCALE: N.T.S. DRAWN: RMP  
DATE: 8-8-2011 TITAN #: -

PROJECT: **STANDARD SEPTIC TANK DETAIL**

LOCATION: SALT LAKE - OREM - HURRICANE  
PH: 801-225-2416

Drawing 1