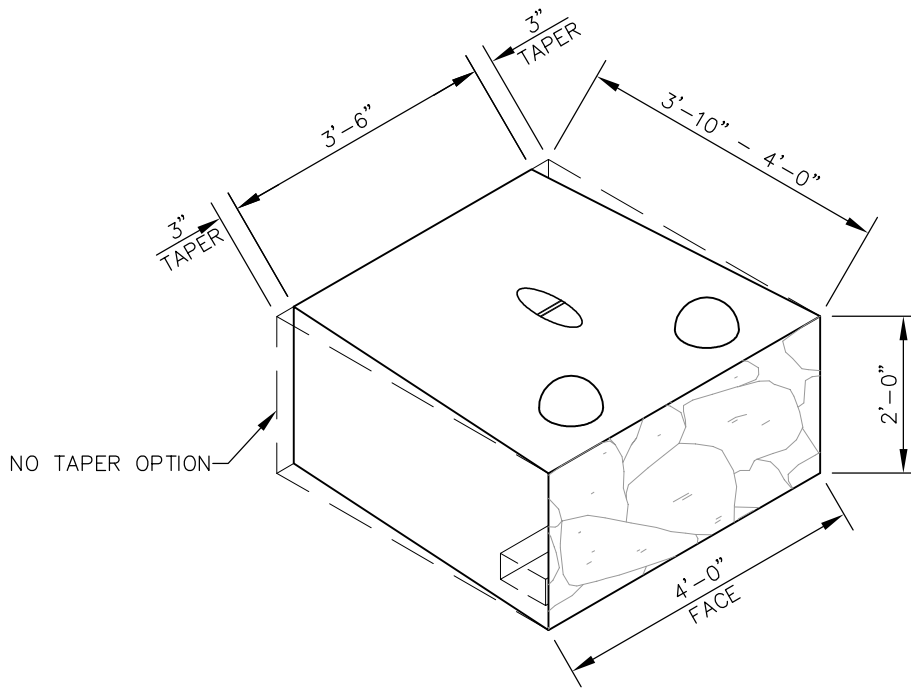


TOP VIEW

SIDE VIEW



ISOMETRIC VIEW

NOT FOR CONSTRUCTION

WEIGHTS	
BLOCK TOTAL	4,800



SHEET:	STANDARD DETAIL		
SCALE:	AS SHOWN	DRAWN:	RMP
DATE:	9-1-2011	TITAN #:	-

PROJECT:	4' RETAINING WALL BLOCK	
LOCATION:	SALT LAKE - OREM - ST. GEORGE	
	PH: 801-225-2416	