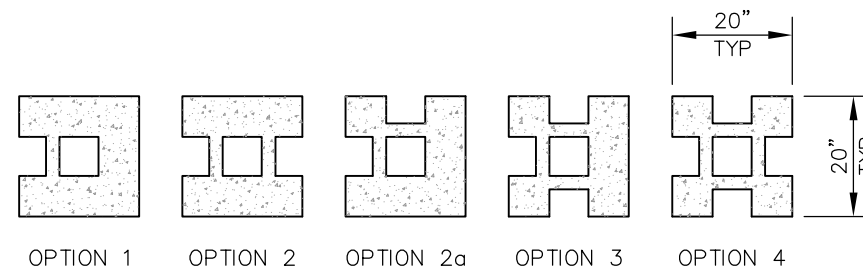
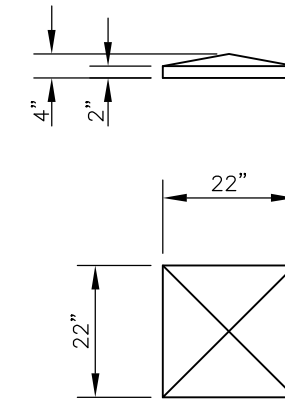


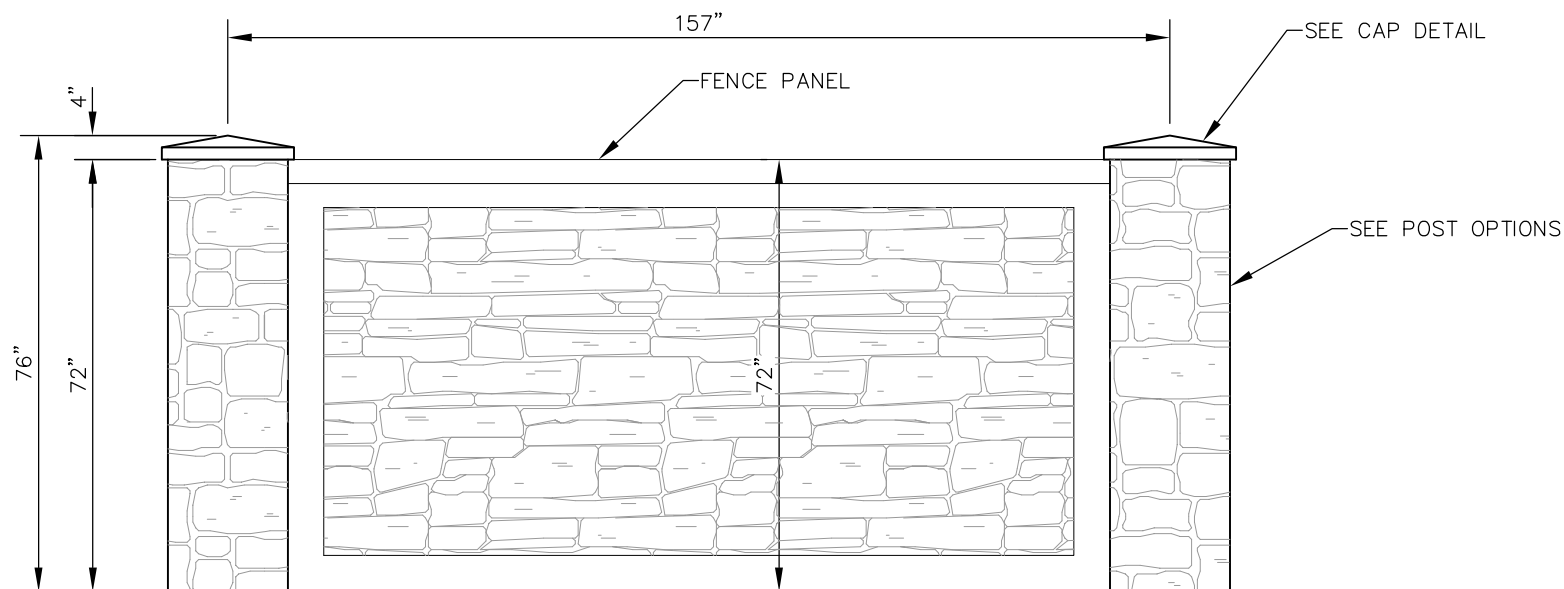
PLAN VIEW



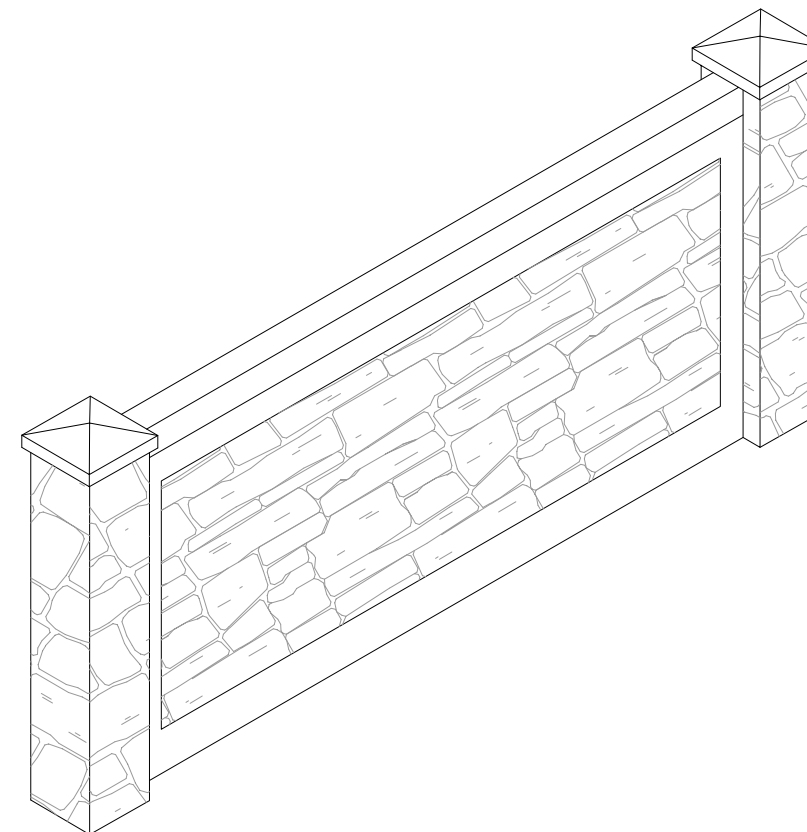
POST OPTIONS



CAP DETAIL




FRONT VIEW



ISOMETRIC VIEW



WEIGHTS	
POST 1	2,075
POST 2	1,900
POST 3	1,750
POST 4	1,575
PANEL	5,175
CAP	100

 GENEVA PIPE <small>Concrete products. concrete reliability.</small>	SHEET: PRECAST FENCE			
	SCALE: AS SHOWN	DRAWN: RMP	QTY	
PROJECT:	DATE: 9-1-2011	TITAN #:	-	-
STANDARD DETAIL				
CONTRACTOR:	-			1 of 1
LOCATION:	ST. GEORGE, UT			

PRELIMINARY - NOT FOR FABRICATION