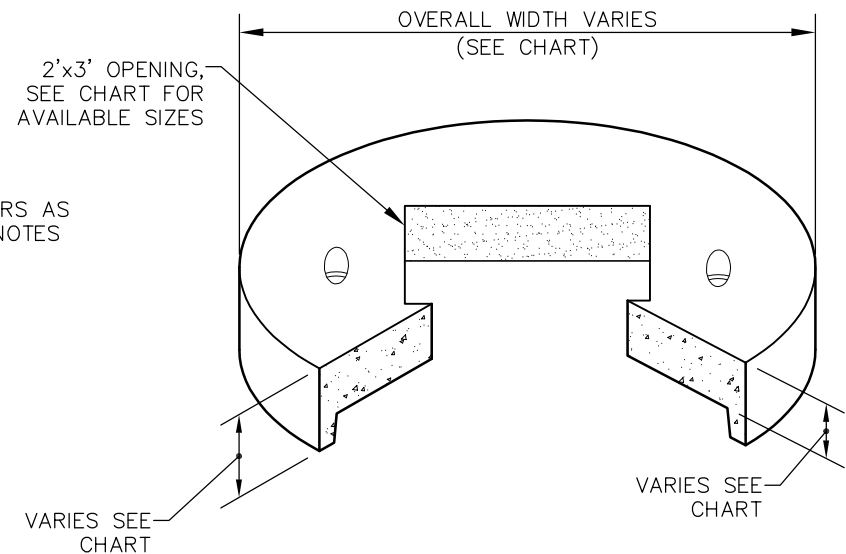


LID ISOMETRIC VIEW




LID ISOMETRIC VIEW

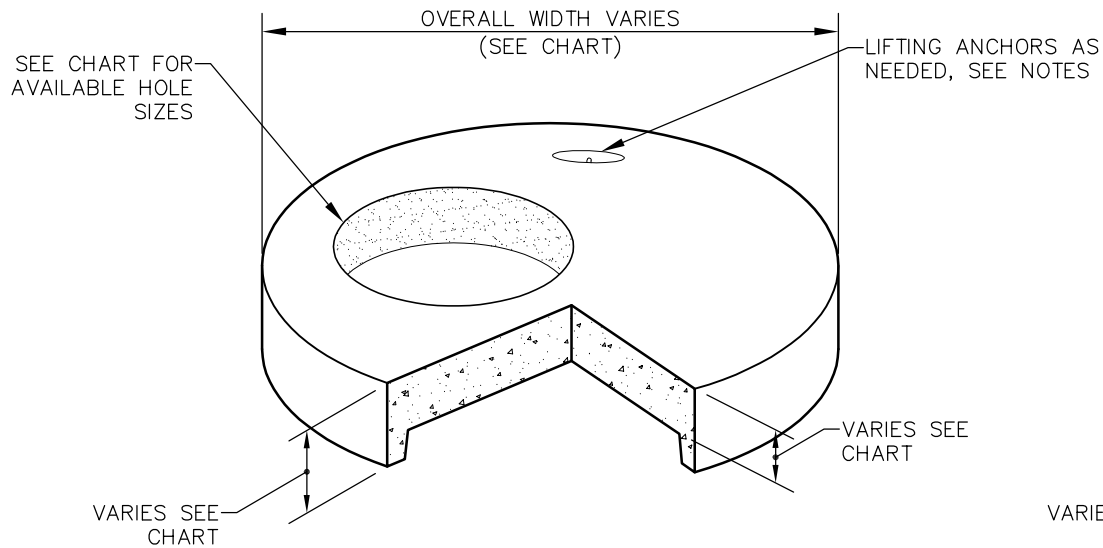
NOTE:

1. 48"- 60" MANHOLE LIDS HAVE (2) LIFTING A-ANCHORS WITH A TOTAL LIFTING CAPACITY OF 13,000 LBS. 2.5 TON CABLE LIFTERS MAY BE SUBSTITUTED.
2. 72" AND LARGER MANHOLES LIDS HAVE (3) LIFTING DR 8-TON ANCHORS WITH A TOTAL LIFTING CAPACITY OF 30,000 LBS. 2.5 TON CABLE LIFTERS MAY BE SUBSTITUTED .

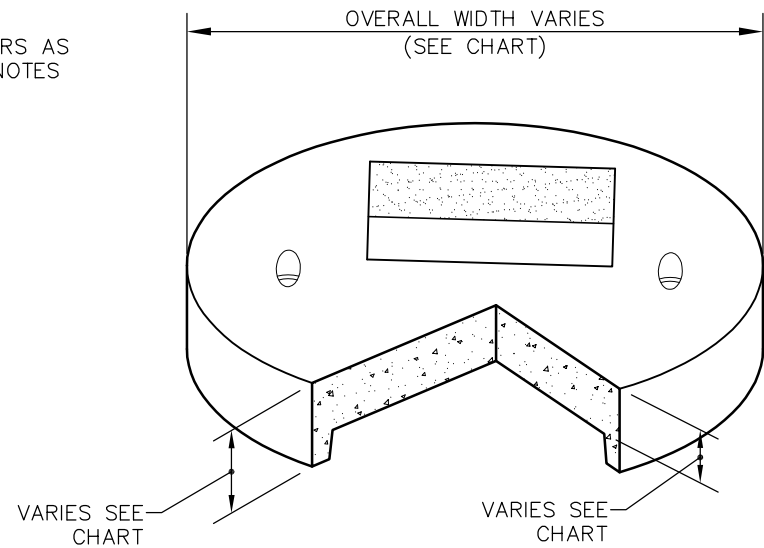
CONCENTRIC MANHOLE LIDS					
NOMINAL LID SIZE	OVERALL WIDTH	OVERALL HEIGHT	SLAB THICKNESS	LID WEIGHT	OPENING SIZES
48"	58"	9"	6"	1,265 LBS	24"ø, 30"ø, 2'X3'
60"	72"	11½"	8"	2,845 LBS	24"ø, 30"ø, 44"ø, 2'X3'
72"	86"	13"	9"	4,520 LBS	24"ø, 30"ø, 44"ø
84"	100"	13.5"	9.5"	7,100 LBS	30"ø, 44"ø
96"	114"	17"	12"	11,800 LBS	30"ø, 44"ø
108"	128"	16"	12"	12,750 LBS	30"ø, 44"ø
120"	142"	16"	12"	15,900 LBS	30"ø, 44"ø
144"	168"	13.5"	12"	22,500 LBS	30"ø, 44"ø

***DESIGNED TO MEET ASTM C-478 , AASHTO HL93 LOADING**

 GENEVA PIPE <small>Concrete products. concrete reliability</small>	SHEET: CONCENTRIC MANHOLE LIDS	
	SCALE: NOT TO SCALE	DRAWN: QTMP
PROJECT:	DATE: 1-18-2013	PROJECT #:
STANDARD DRAWING		
LOCATION:	SALT LAKE - OREM - ST. GEORGE	1 of 1



LID ISOMETRIC VIEW



LID ISOMETRIC VIEW

NOTE:

1. 48"- 60" MANHOLE LIDS HAVE (2) LIFTING A-ANCHORS WITH A TOTAL LIFTING CAPACITY OF 13,000 LBS. 2.5 TON CABLE LIFTERS MAY BE SUBSTITUTED.
2. 72" AND LARGER MANHOLES LIDS HAVE (3) LIFTING DR 8-TON ANCHORS WITH A TOTAL LIFTING CAPACITY OF 30,000 LBS. 2.5 TON CABLE LIFTERS MAY BE SUBSTITUTED .

ECCENTRIC MANHOLE LIDS					
NOMINAL LID SIZE	OVERALL WIDTH	OVERALL HEIGHT	SLAB THICKNESS	LID WEIGHT	OPENING SIZES
48"	58"	9"	6"	1,265 LBS	24"φ, 30"φ, 2'X3'
60"	72"	11½"	8"	2,845 LBS	24"φ, 30"φ, 44"φ, 2'X3'
72"	86"	13"	9"	4,520 LBS	24"φ, 30"φ, 44"φ
84"	100"	13.5"	9.5"	7,100 LBS	30"φ, 44"φ
96"	114"	17"	12"	11,800 LBS	30"φ, 44"φ
108"	128"	16"	12"	12,750 LBS	30"φ, 44"φ
120"	142"	16"	12"	15,900 LBS	30"φ, 44"φ
144"	168"	13.5"	12"	22,500 LBS	30"φ, 44"φ

***DESIGNED TO MEET ASTM C-478 , AASHTO HL93 LOADING**

	SHEET: ECCENTRIC MANHOLE LIDS	
	SCALE: NOT TO SCALE	DRAWN: QTMP
PROJECT:	DATE: 1-18-2013	PROJECT #:
STANDARD DRAWING		
LOCATION:	SALT LAKE - OREM - ST. GEORGE	1 of 1