


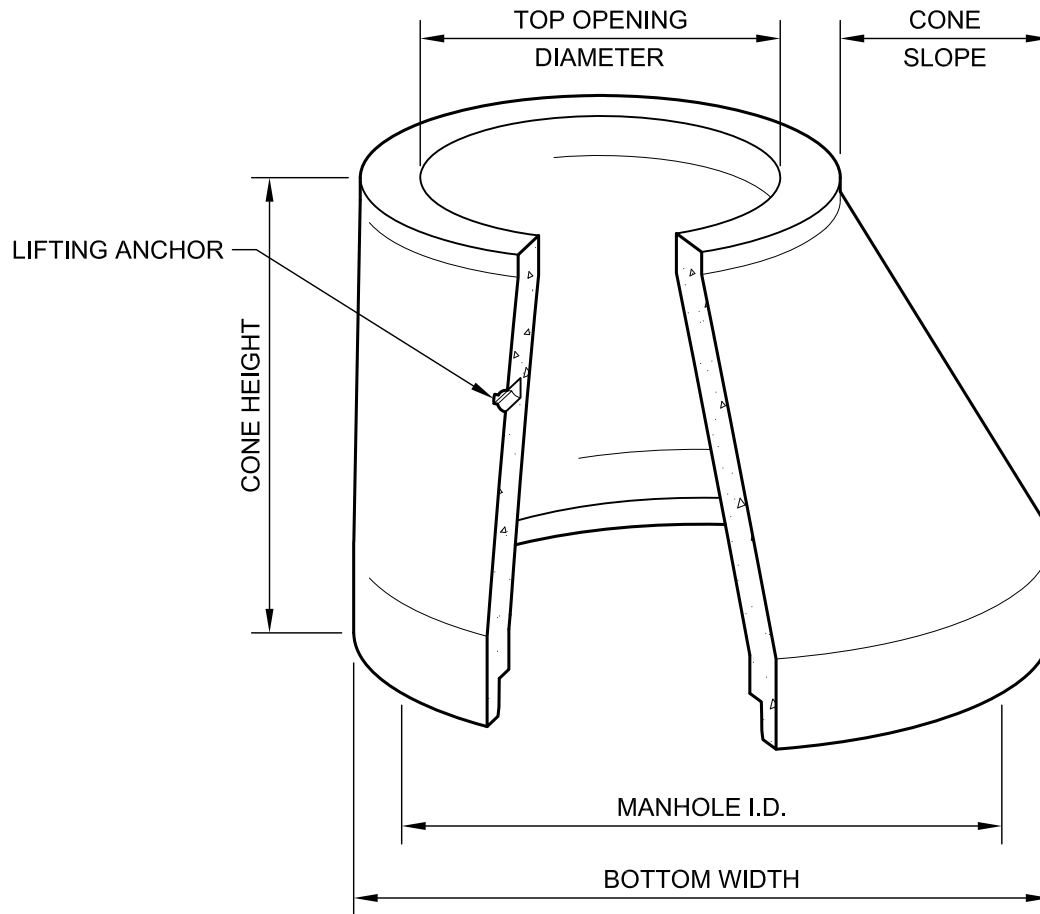
NOTES:

1. CONFORMS TO CURRENT ASTM C478 REQUIREMENTS.

CONCENTRIC MANHOLE CONE SPECIFICATIONS

MANHOLE I.D.	WALL THICKNESS	TOP OPENING	CONE HEIGHT	BOTTOM WIDTH	CONE WEIGHT
48"	5"	30"	40"	58"	2,900 LB
60"	6"	30"	40"	72"	4,300 LB

 GENEVA PIPE <small>Concrete products. concrete reliability.</small>	SHEET: CONCENTRIC MANHOLE			
	SCALE: NTS	DRAWN: RMP		
PROJECT:		DATE: 9-29-2014	TITAN ID: -	
STANDARD DETAIL				
LOCATION: SALT LAKE - OREM - ST.GEORGE				1 of 1




ECCENTRIC MANHOLE CONE SPECIFICATIONS

MANHOLE I.D.	WALL THICKNESS	TOP OPENING	CONE HEIGHT	CONE SLOPE	BOTTOM WIDTH	CONE WEIGHT
48	5"	24"	34"	18"	58"	2,900 LB
48"	5"	30"	39 $\frac{1}{4}$ "	18"	58"	2,900 LB
60"	6"	24"	34"	30"	72"	4,300 LB
60"	6"	30"	39 $\frac{1}{4}$ "	30"	72"	4,300 LB
72"	7"	30"	34 $\frac{1}{2}$ "	39 $\frac{3}{4}$ "	86"	4,075 LB

NOTES:

1. CONFORMS TO CURRENT ASTM C478 REQUIREMENTS.
2. MANUFACTURED USING TYPE III/V CEMENT WHICH MEETS THE REQUIREMENTS FOR BOTH TYPE III AND TYPE V CEMENT.

 GENEVA PIPE <small>Concrete products. concrete reliability</small>	SHEET: ECCENTRIC MANHOLE CONES	
	SCALE: N.T.S.	DRAWN: RMP
DATE: 3-1-2013		PROJECT #: -
PROJECT: STANDARD DRAWING		
LOCATION: SALT LAKE - OREM - ST. GEORGE		1 of 1