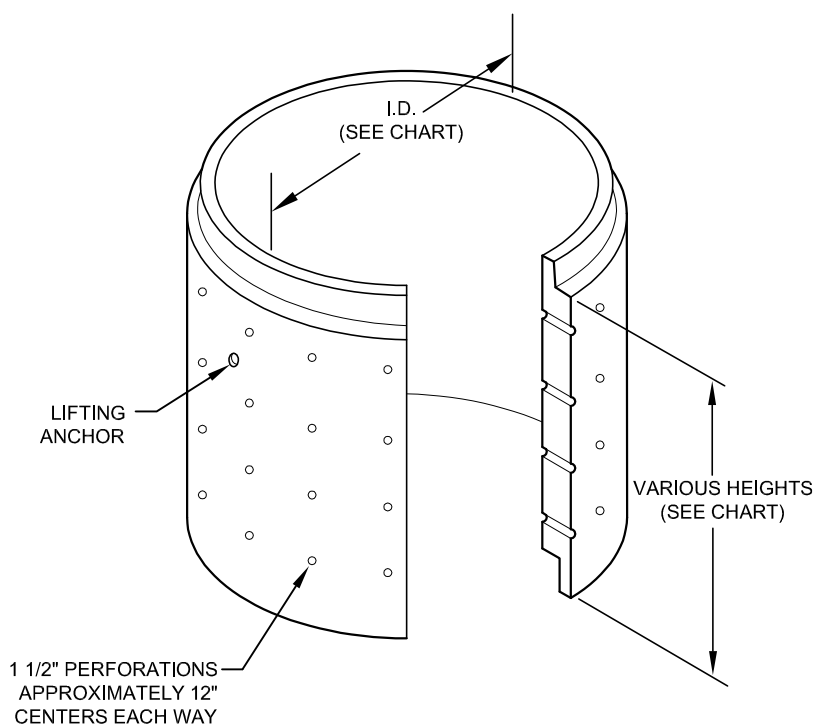
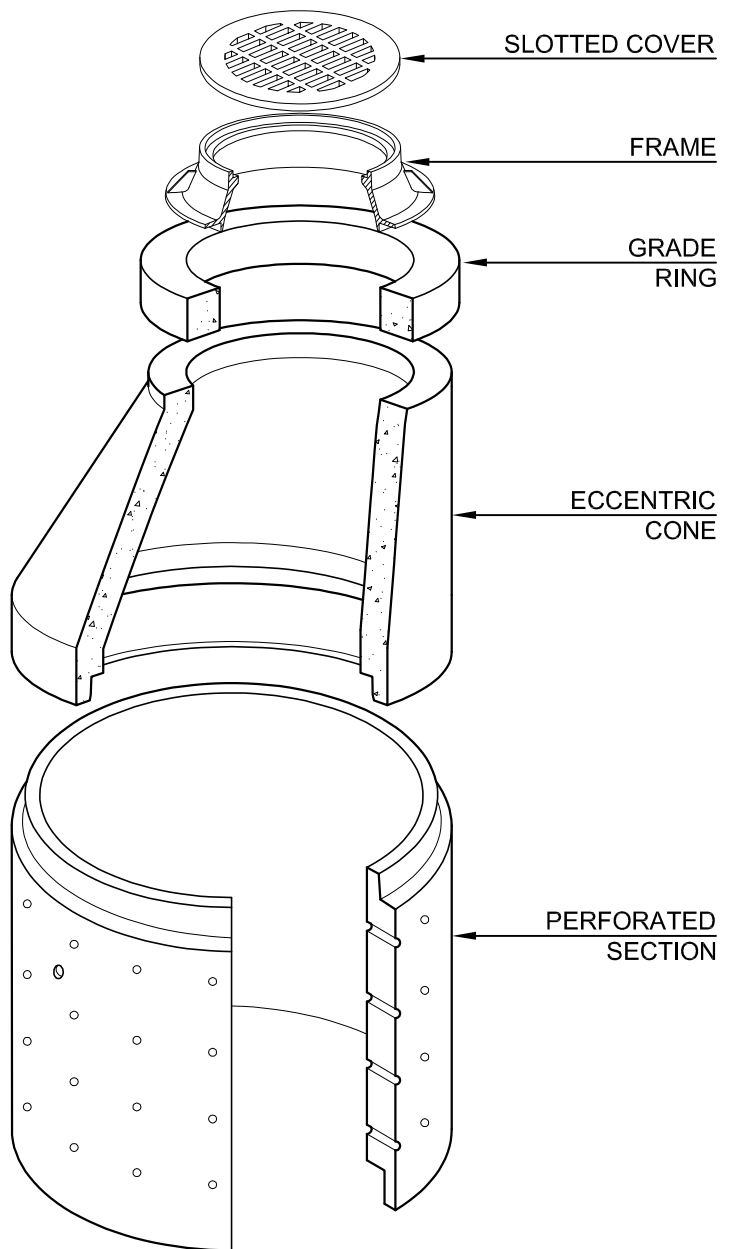
 GENEVA PIPE <small>Concrete products. concrete reliability.</small>	SHEET: MANHOLE ASSEMBLY OPTIONS		
	SCALE: N.T.S.	DRAWN: RMP	
	DATE: 3-1-2013	TITAN #:	-
PROJECT: STANDARD DETAIL			
LOCATION: SALT LAKE, OREM, ST. GEORGE			1 of 1



MANHOLE RISER SPECIFICATIONS					
MANHOLE I.D.	WALL THICKNESS	BARREL O.D.	JOINT DEPTH	AVAILABLE HEIGHTS	WEIGHT PER FOOT
48"	5"	58"	3/4"	1', 2', 3', 4'	850 lb
60"	6"	72"	3/4"	1', 2', 3', 4'	1,275 lb
72"	7"	86"	4"	1', 2', 3', 4', 5'	1,810 lb

* TYPICALLY TWO LIFTING ANCHORS ARE PROVIDED FOR EACH RISER SECTION
LIFTING ANCHORS FOR 72" MANHOLES ARE CONAC DR 8 TON ANCHORS

 GENEVA PIPE <small>Concrete products. concrete reliability</small>	SHEET: PERFORATED MANHOLES	
	SCALE: N.T.S.	DRAWN: RMP
DATE: 8-2-2012		PROJECT #: -
PROJECT: STANDARD DRAWING		
LOCATION: SALT LAKE - OREM - ST. GEORGE		Sheet 1 of 1