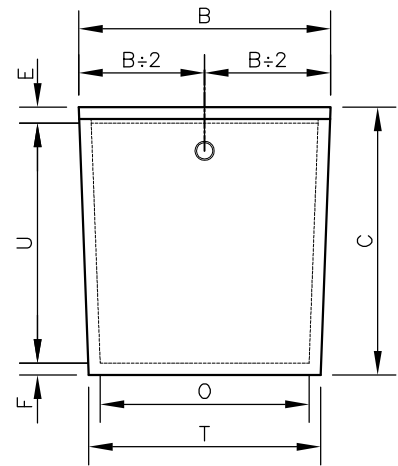
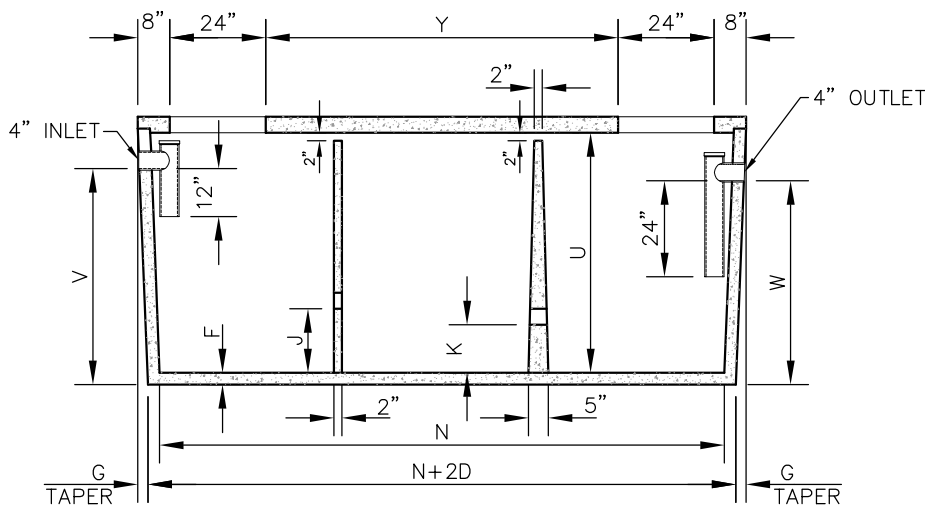


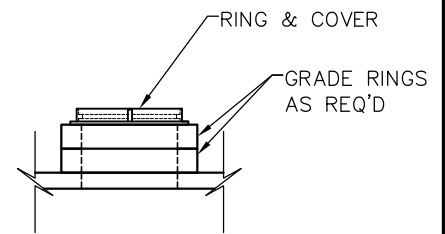
**BASE - TOP VIEW**



**90° ELEVATION  
270° ELEVATION**



**SECTION A-A**



**MANHOLE COVER DETAIL**

**NOTES:**

1. CONCRETE GRADE RINGS & CAST IRON RING & COVER OPTIONAL

**DOUBLE COMPARTMENT 0'-2' COVER**

DIMENSION	A	B	C	D	E	F	G	J	K	L	M	N	O	P	Q	R	T	U	V	W	Y
1,000 GAL.	102"	63"	71"	3"	8"	3"	2½"	16"	12"	96"	57"	91¼"	52¼"	24"	30"	34"	58"	60"	54"	51"	38"
1,500 GAL.	152"	63"	71"	3"	8"	3"	2½"	16"	12"	146"	57"	141¼"	52¼"	46"	48"	48"	58"	60"	54"	51"	88"
1,750 GAL.	108"	78"	84"	3"	9"	4"	2½"	16"	12"	102"	72"	97¼"	67¼"	32"	34"	32"	73"	71"	66"	63"	44"
2,500 GAL.	156"	78"	84"	3"	9"	4"	2½"	16"	12"	150"	72"	145¼"	67¼"	49"	51"	46"	73"	71"	66"	63"	92"



**GENEVA PIPE**

SHEET: **GREASE TRAP, TRIPLE COMPARTMENT**

SCALE: N.T.S. DRAWN: RMP  
DATE: 8-8-2011 TITAN #: -

PROJECT: **STANDARD GREASE TRAP DETAIL**

LOCATION: SALT LAKE - OREM - HURRICANE  
PH: 801-225-2416

Drawing 1