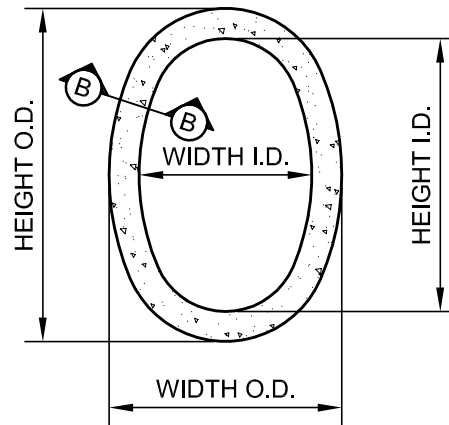
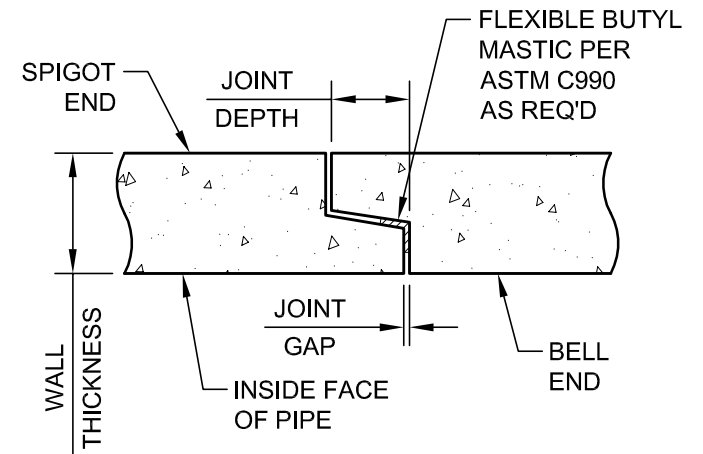


ISOMETRIC VIEW



SECTION A-A




SECTION B-B  
HERCP JOINT DETAIL

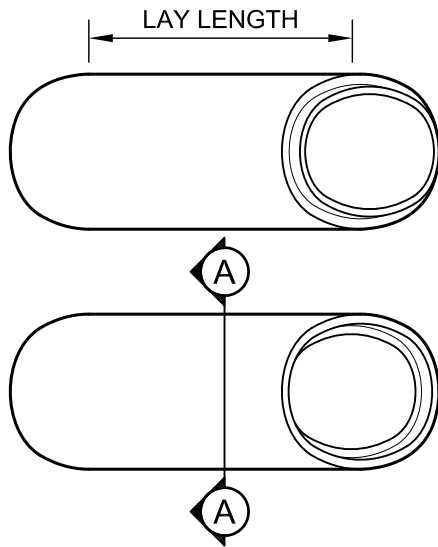
NOTES:

1. CONFORMS TO CURRENT ASTM C507 REQUIREMENTS.
2. CUSTOM PIPE FITTINGS ALSO AVAILABLE.
3. MANUFACTURED USING TYPE III/V CEMENT WHICH MEETS THE REQUIREMENTS FOR BOTH TYPE III AND TYPE V CEMENT.
4. LAY LENGTH FOR ALL SIZES = 8.00'  
AVERAGE JOINT GAP = 0.04' (1/2")

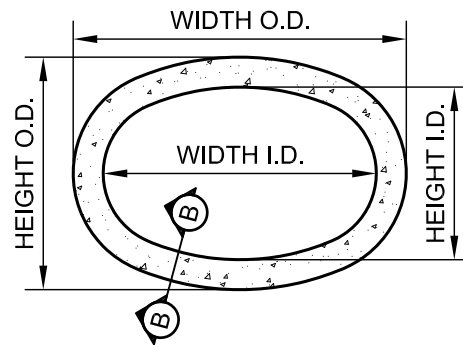
**HORIZONTAL ELLIPTICAL REINFORCED PIPE SPECIFICATIONS**

NOMINAL SIZE		WALL THICK.	VERCP CLASS	HEIGHT O.D.	WIDTH O.D.	HEIGHT I.D.	WIDTH I.D.	JOINT DEPTH	WET AREA	WEIGHT EA PIECE
EQUIV. RCP	VERCP H x W									
36"	45"x29"	5"	II-VI	55½"	38¾"	45½"	28¾"	¾"	7.36 ft <sup>2</sup>	5,000 lb
42"	53"x34"	5¼"	II-VI	63¾"	44½"	53¾"	34"	¾"	10.2 ft <sup>2</sup>	6,520 lb
48"	60"x38"	6"	II-VI	71¾"	50¼"	59¾"	38¾"	¾"	12.9 ft <sup>2</sup>	8,335 lb
54"	68"x43"	6⅞"	II-VI	81⅝"	57⅞"	68"	43½"	4"	16.7 ft <sup>2</sup>	9,880 lb

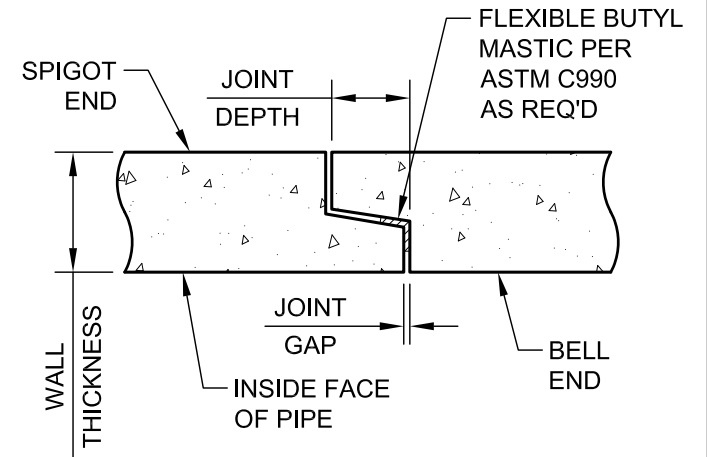
 <b>GENEVA PIPE</b> <small>Concrete products. concrete reliability</small>	SHEET: VERTICAL ELLIPTICAL RCP	
	SCALE: N.T.S.	DRAWN: RMP
	DATE: 3-7-2012	PROJECT #: -
PROJECT: <b>STANDARD DRAWING</b>		
LOCATION: SALT LAKE - OREM - ST. GEORGE		Sheet 1 of 1



ISOMETRIC VIEW



SECTION A-A




SECTION B-B  
HERCP JOINT DETAIL

NOTES:

1. CONFORMS TO CURRENT ASTM C507 REQUIREMENTS.
2. CUSTOM PIPE FITTINGS ALSO AVAILABLE.
3. MANUFACTURED USING TYPE III/IV CEMENT WHICH MEETS THE REQUIREMENTS FOR BOTH TYPE III AND TYPE V CEMENT.
4. LAY LENGTH FOR ALL SIZES = 8.00' AVERAGE JOINT GAP = 0.04' (1/2")

HORIZONTAL ELLIPTICAL REINFORCED PIPE SPECIFICATIONS										
NOMINAL SIZE		WALL THICK.	HERCP CLASS	HEIGHT O.D.	WIDTH O.D.	HEIGHT I.D.	WIDTH I.D.	JOINT DEPTH	WET AREA	WEIGHT EA PIECE
EQUIV. RCP	HERCP H x W									
18"	14"x23"	3"	III,IV	20"	29"	14"	23"	2½"	1.83 ft <sup>2</sup>	1,665 lb
24"	19"x30"	3¼"	III,IV	25¾"	36¾"	19¼"	30¼"	3"	3.28 ft <sup>2</sup>	2,560 lb
30"	24"x38"	3¾"	III,IV	31½"	45¼"	24"	37¾"	2½"	5.10 ft <sup>2</sup>	3,670 lb
36"	29"x45"	5"	III,IV	38¾"	55½"	28¾"	45½"	3¼"	7.36 ft <sup>2</sup>	5,000 lb
42"	34"x53"	5¼"	III,IV	44½"	63¾"	34"	53¼"	3¼"	10.2 ft <sup>2</sup>	6,520 lb
48"	38"x60"	6"	III	50¼"	71¾"	38¾"	59¾"	3½"	12.9 ft <sup>2</sup>	8,335 lb
54"	43"x68"	6⅞"	III	57⅞"	81⅝"	43½"	68"	4"	16.7 ft <sup>2</sup>	9,880 lb

 <b>GENEVA PIPE</b> <small>Concrete products. concrete reliability</small>	SHEET: HORIZONTAL ELLIPTICAL RCP		
	SCALE: N.T.S.	DRAWN: RMP	
	DATE: 3-1-2013	PROJECT #:	-
PROJECT: <b>STANDARD DRAWING</b>			
LOCATION: SALT LAKE - OREM - ST. GEORGE			1 of 1