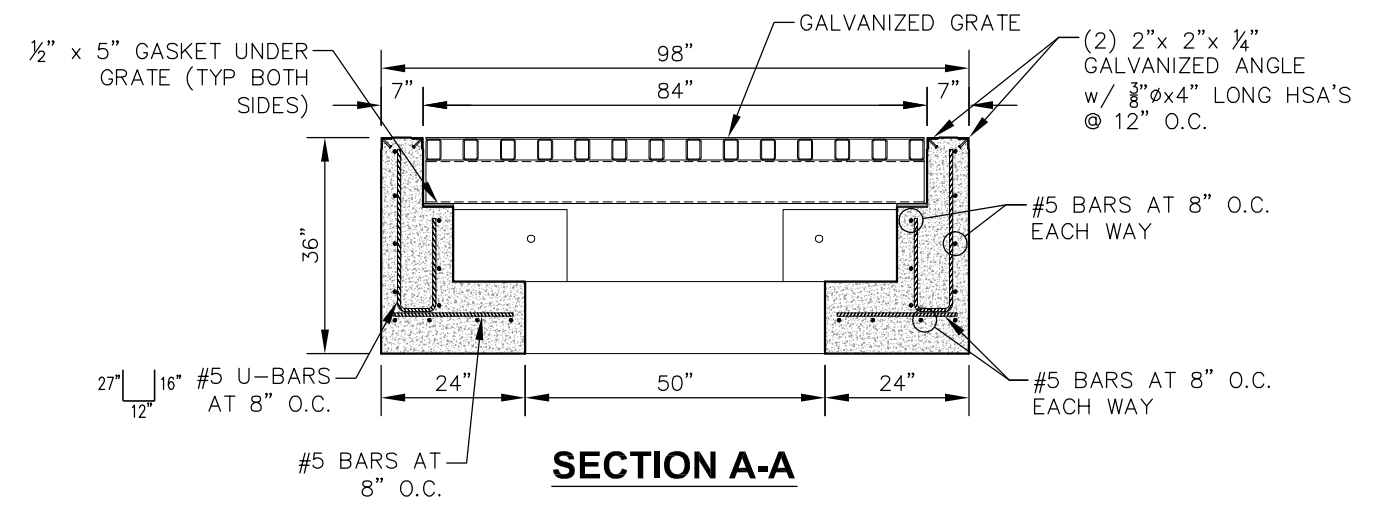
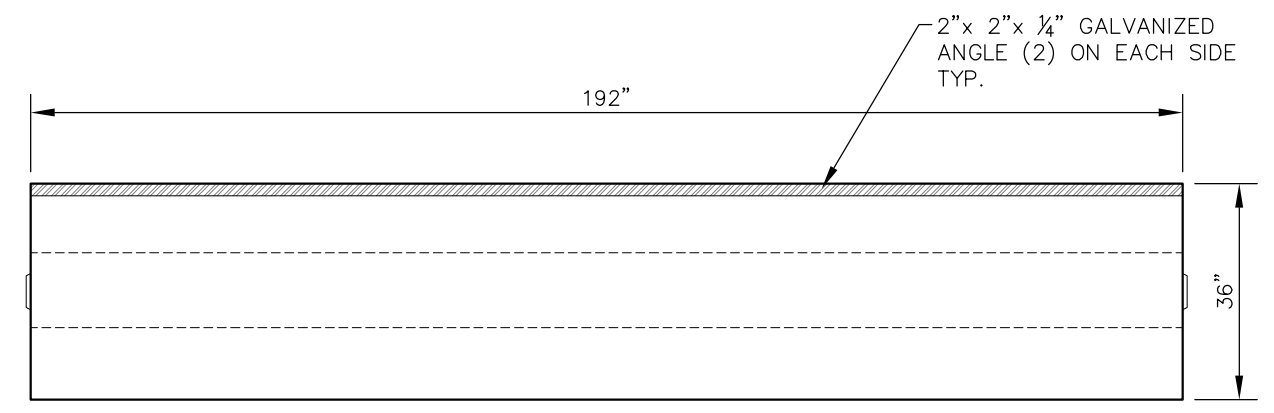


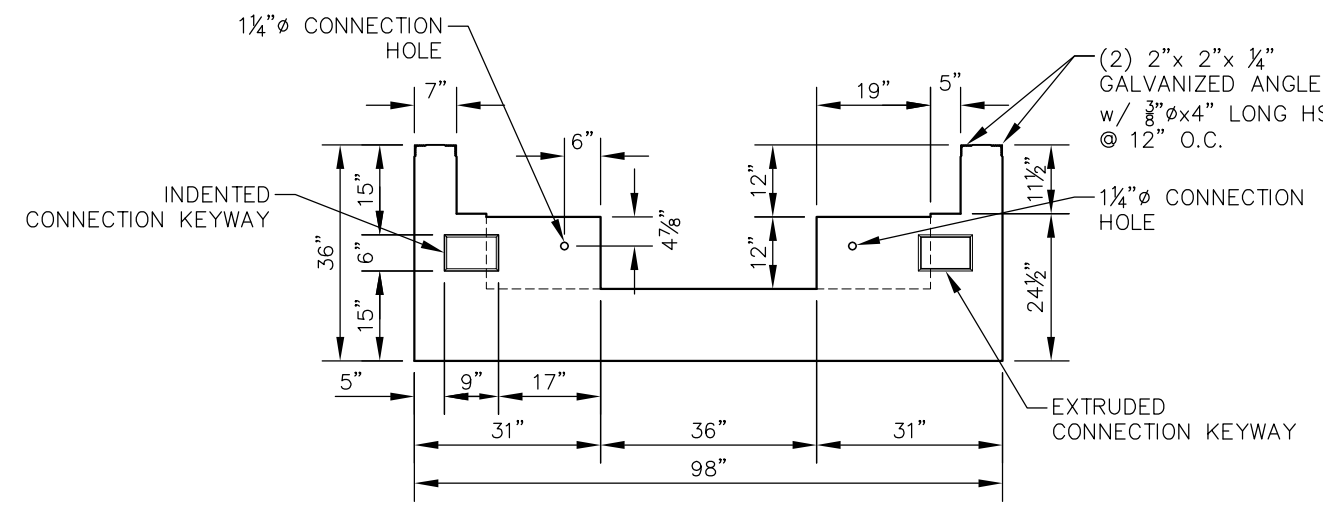
PLAN VIEW



SECTION A-A



**270° ELEVATION
90° ELEVATION (SIM)**



**180° ELEVATION
0° ELEVATION (SIM.)**

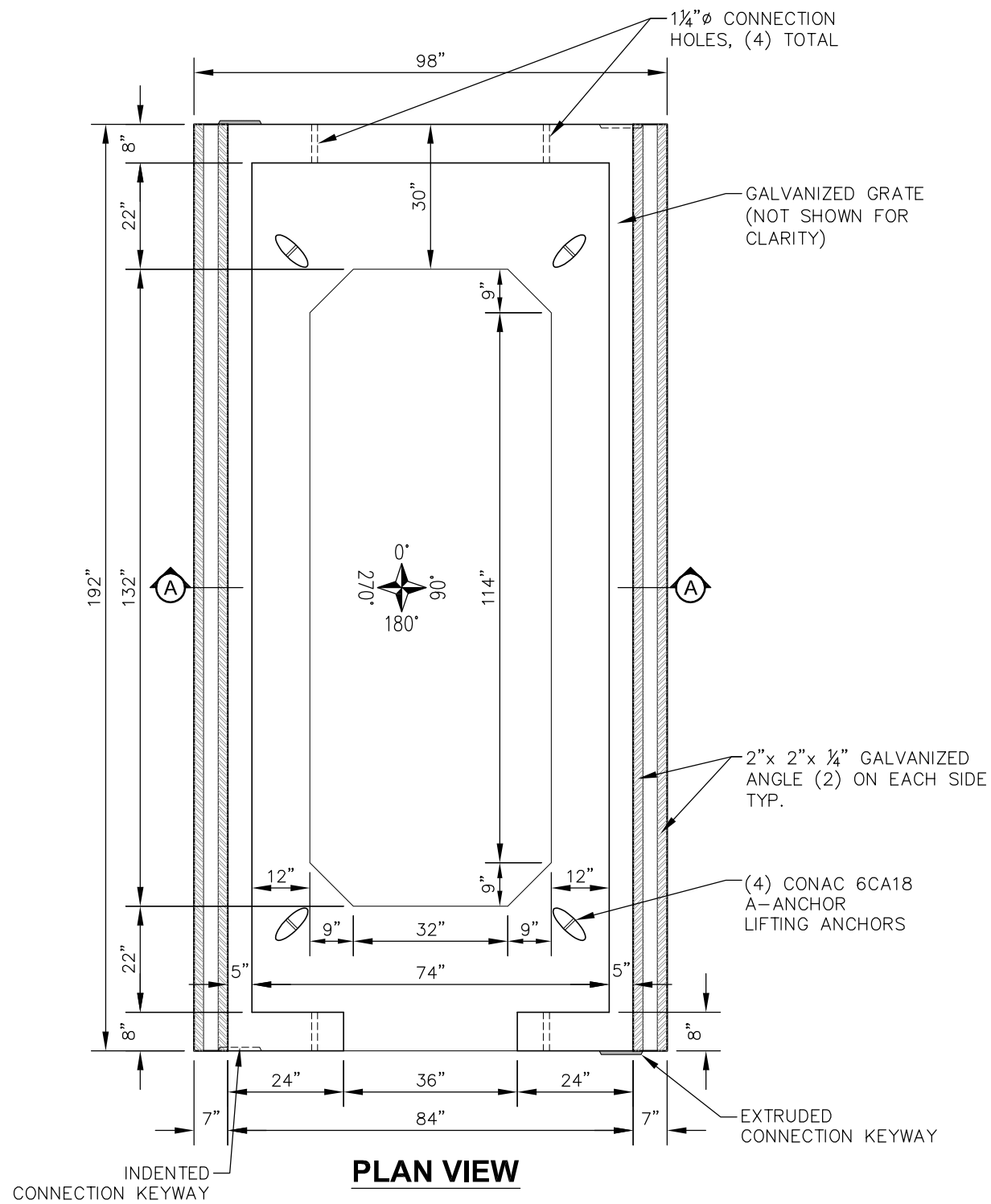
UDOT SPECS



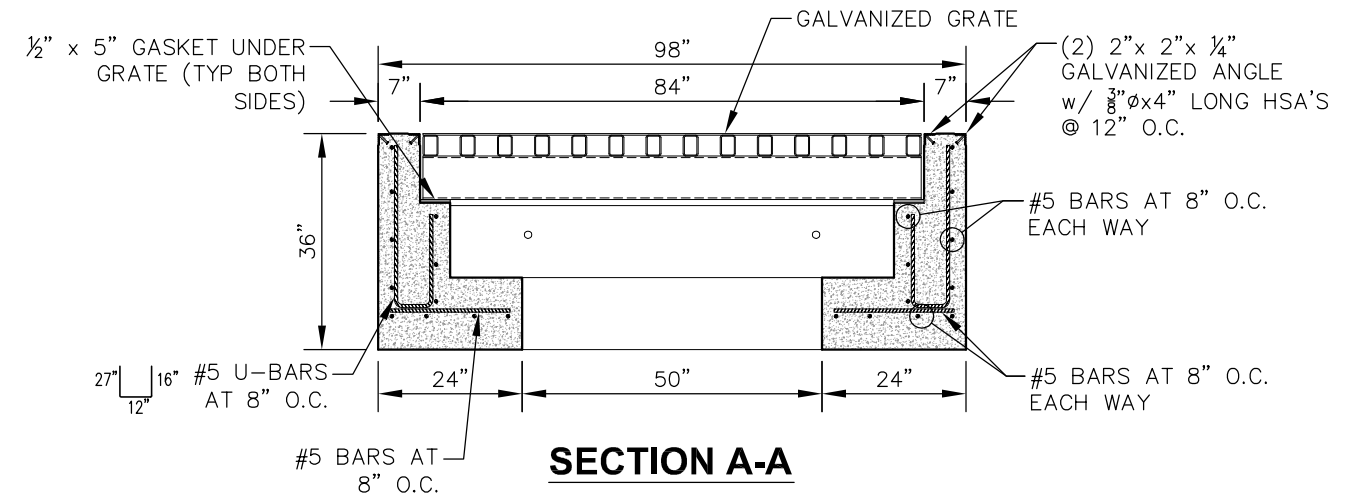
- NOTES:**
1. CLASS AA (AE) CONCRETE ($f_c = 4,000$ PSI)
 2. USE TYPE II/IV CEMENT (LOW ALKALI)
 3. ALL REINFORCING SHALL BE HOT-DIPPED GALVANIZED CONFORMING TO AASHTO M111
 4. PROVIDE 2" CLEAR COVER TO ALL STEEL
 5. SPLICE LAP FOR #5 BAR = 30"

WEIGHTS	
BASE SECTION	21,225
16' GRATE	2,850
TOTAL	23,075

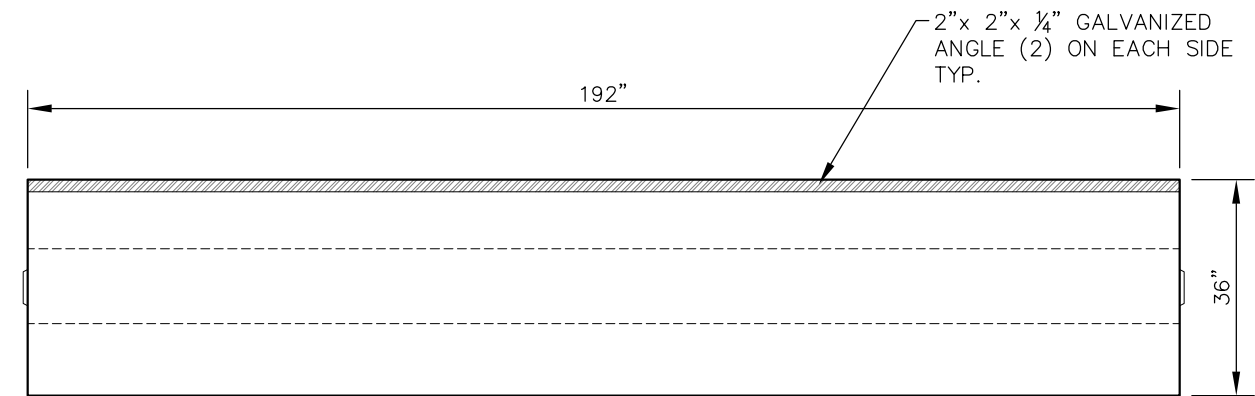
	SHEET: 16' CATTLE GUARD CENTER SECTION			
	SCALE: AS SHOWN	DRAWN: MTK	QTY: -	
	DATE: 5/25/2011	TITAN #: -		
PROJECT: STANDARD DETAIL				
CONTRACTOR: GENEVA PIPE		Sheet 1 of 1		
LOCATION: WAHSINGTON, UTAH				



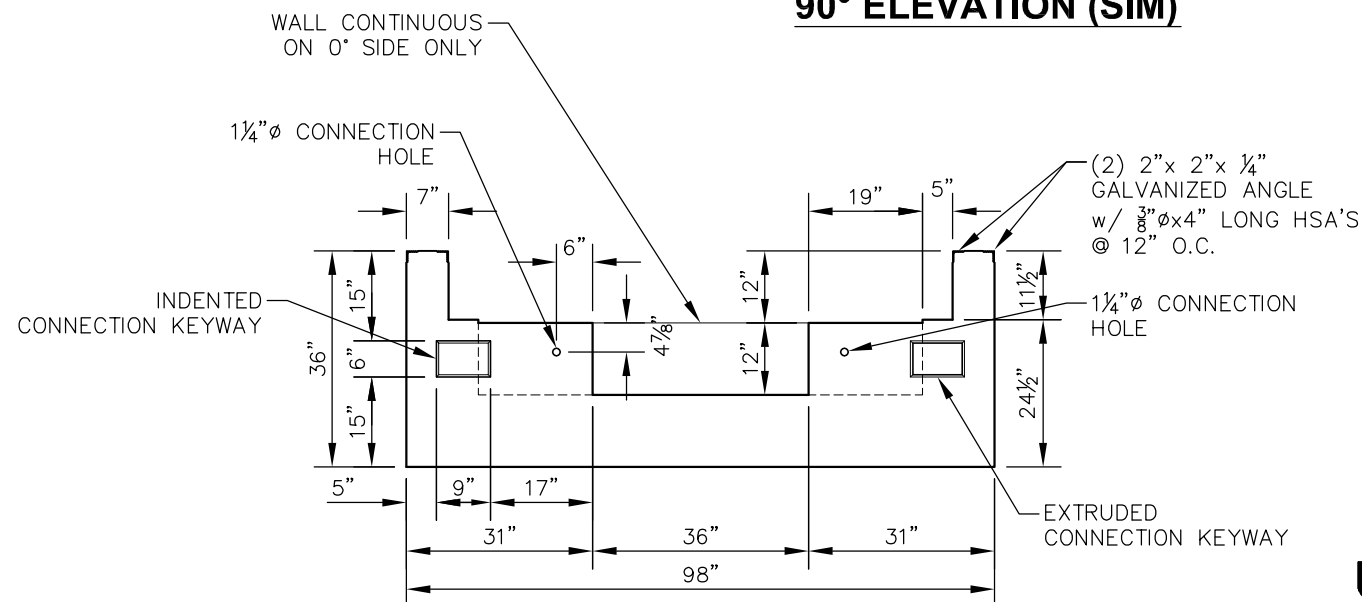
PLAN VIEW



SECTION A-A



**270° ELEVATION
90° ELEVATION (SIM)**



**180° ELEVATION
0° ELEVATION (SIM.)**

UDOT SPECS

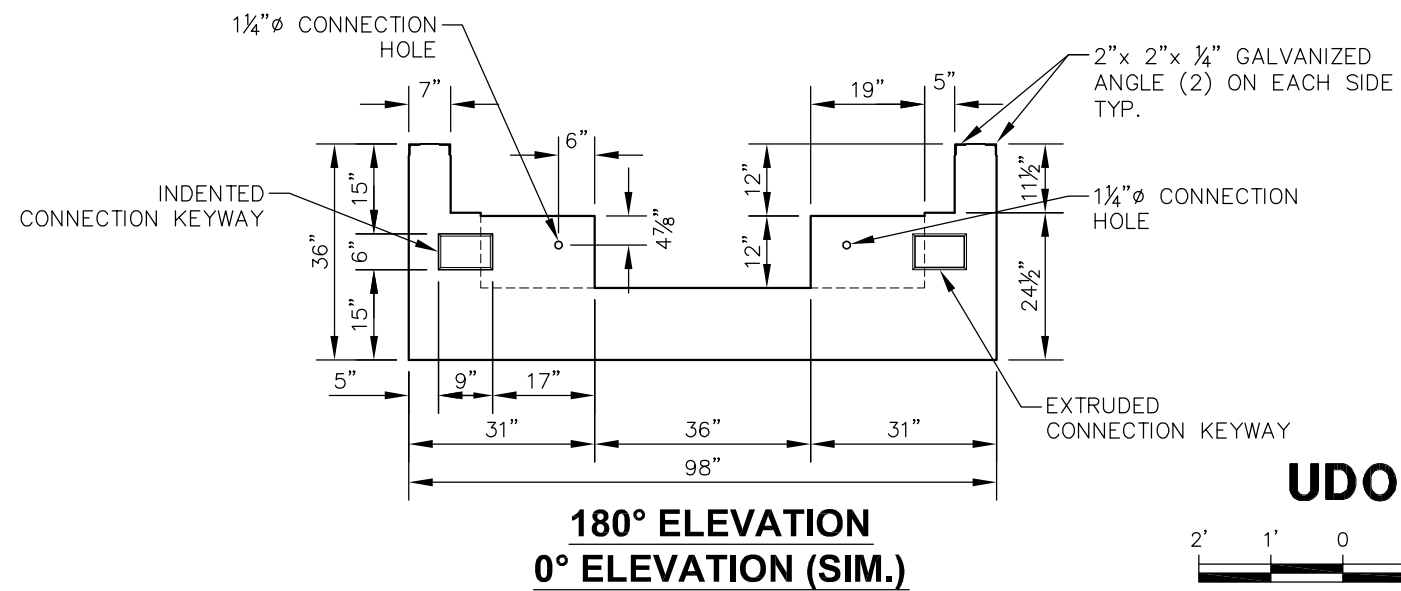
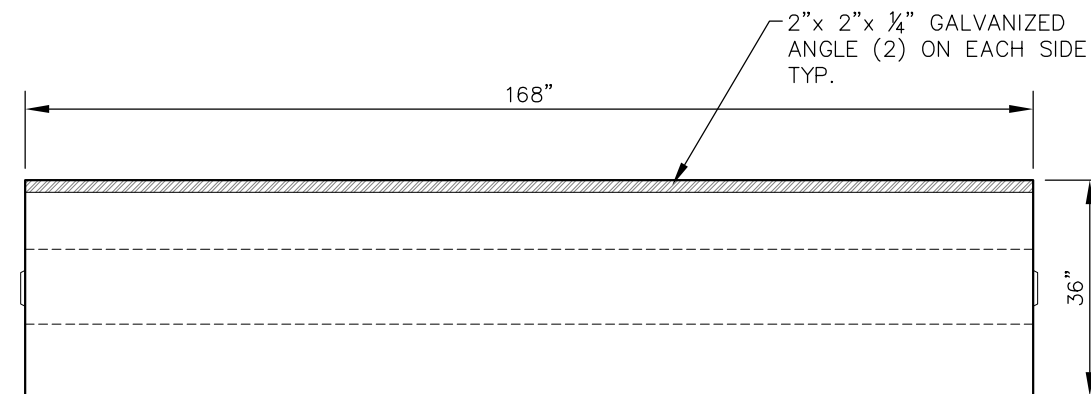
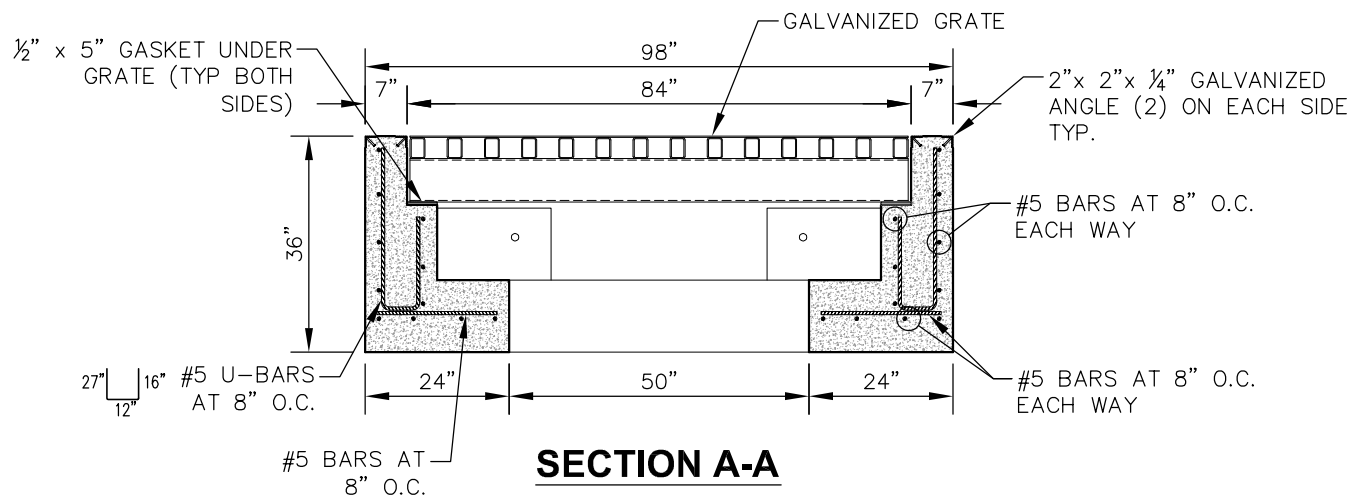
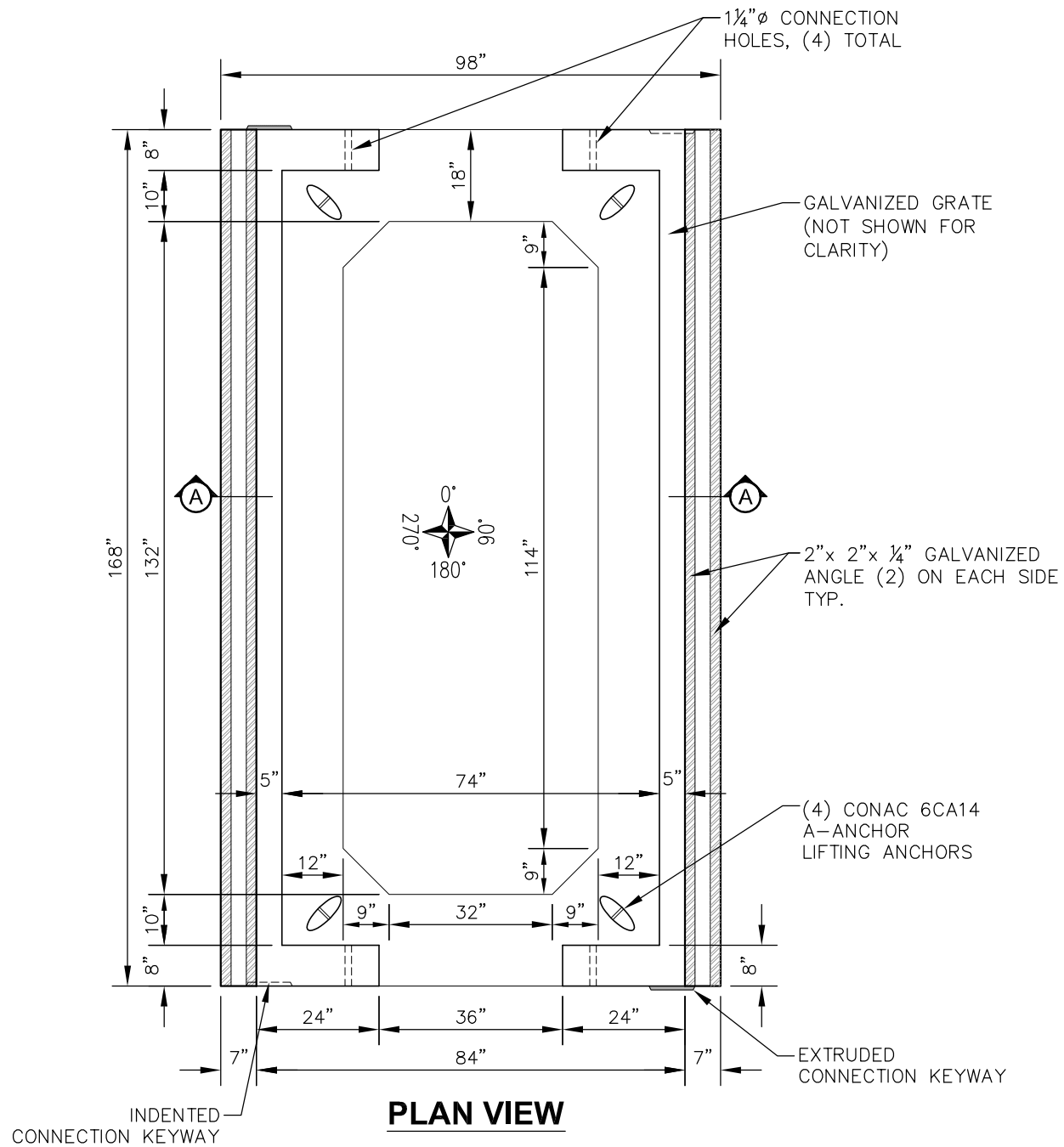


NOTES:

1. CLASS AA (AE) CONCRETE ($f_c = 4,000$ PSI)
2. USE TYPE II/V CEMENT (LOW ALKALI)
3. ALL REINFORCING SHALL BE HOT-DIPPED GALVANIZED CONFORMING TO AASHTO M111
4. PROVIDE 2" CLEAR COVER TO ALL STEEL
5. SPLICE LAP FOR #5 BAR = 30"

WEIGHTS	
BASE SECTION	21,225
16' GRATE	2,850
TOTAL	23,075

	SHEET: 16' CATTLE GUARD END SECTION			
	SCALE: AS SHOWN	DRAWN: MTK	QTY	
	DATE: 5/25/2011	TITAN #:	-	-
PROJECT: STANDARD DETAIL				
CONTRACTOR: GENEVA PIPE		Sheet 1 of 1		
LOCATION: WAHSINGTON, UTAH				



NOTES:

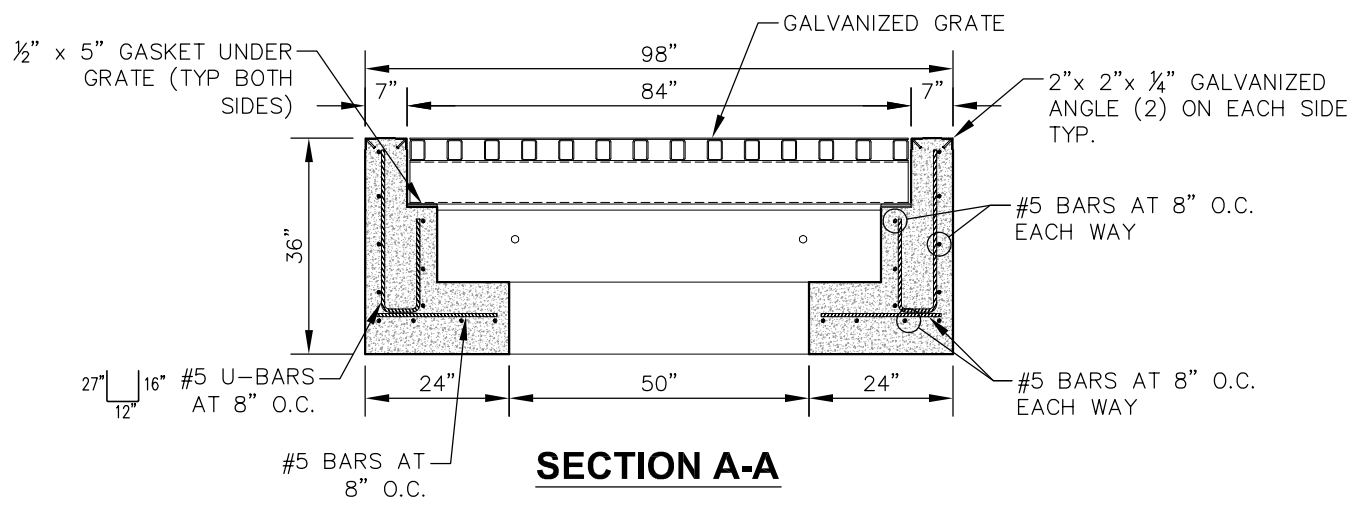
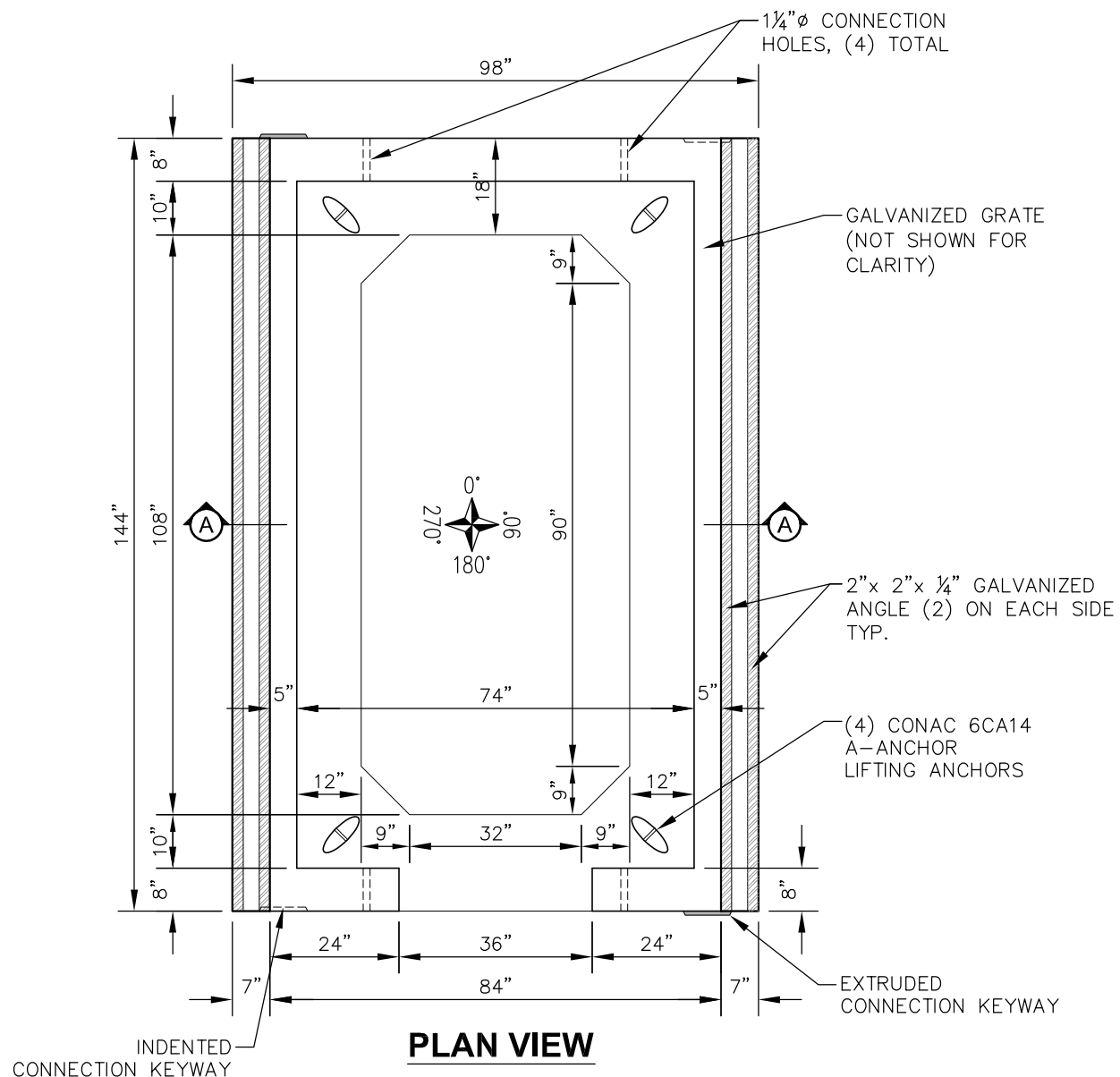
1. CLASS AA (AE) CONCRETE ($f_c = 4,000$ PSI)
2. USE TYPE II/V CEMENT (LOW ALKALI)
3. ALL REINFORCING SHALL BE HOT-DIPPED GALVANIZED CONFORMING TO AASHTO M111
4. PROVIDE 2" CLEAR COVER TO ALL STEEL
5. SPLICE LAP FOR #5 BAR = 30"

WEIGHTS	
BASE SECTION	17,800
14' GRATE	2,500
TOTAL	20,300

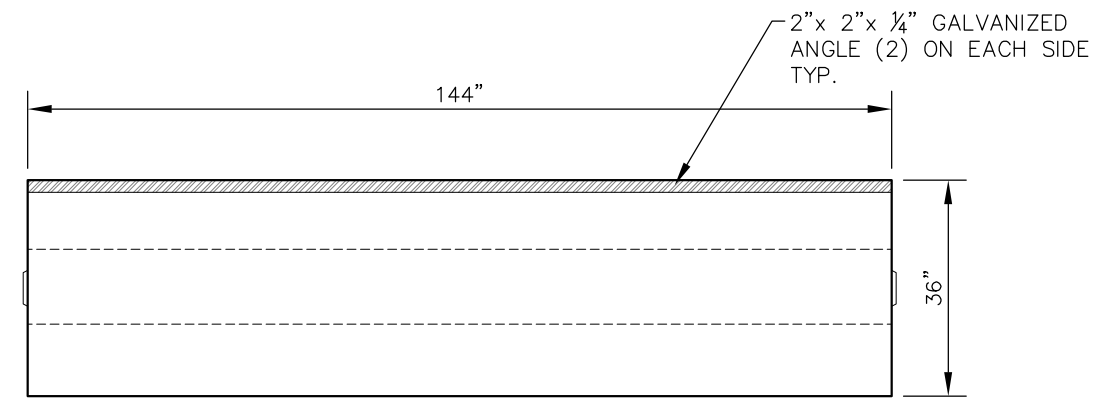


UDOT SPECS

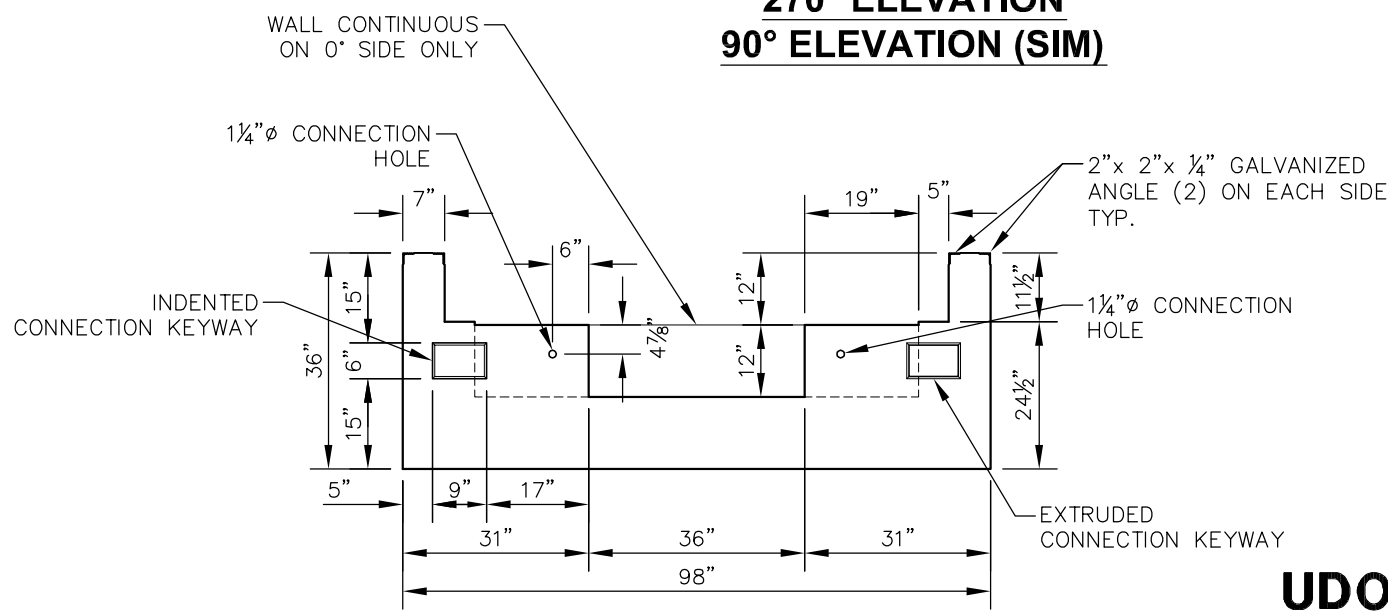
	SHEET: 14' CATTLE GUARD			
	SCALE: AS SHOWN	DRAWN: MTK	QTY	
	DATE: 5/25/2011	TITAN #:	-	-
PROJECT: STANDARD DETAIL				
CONTRACTOR: GENEVA PIPE		Sheet 1 of 1		
LOCATION: WAHSINGTON, UTAH				



SECTION A-A



**270° ELEVATION
90° ELEVATION (SIM)**



**180° ELEVATION
0° ELEVATION (SIM.)**

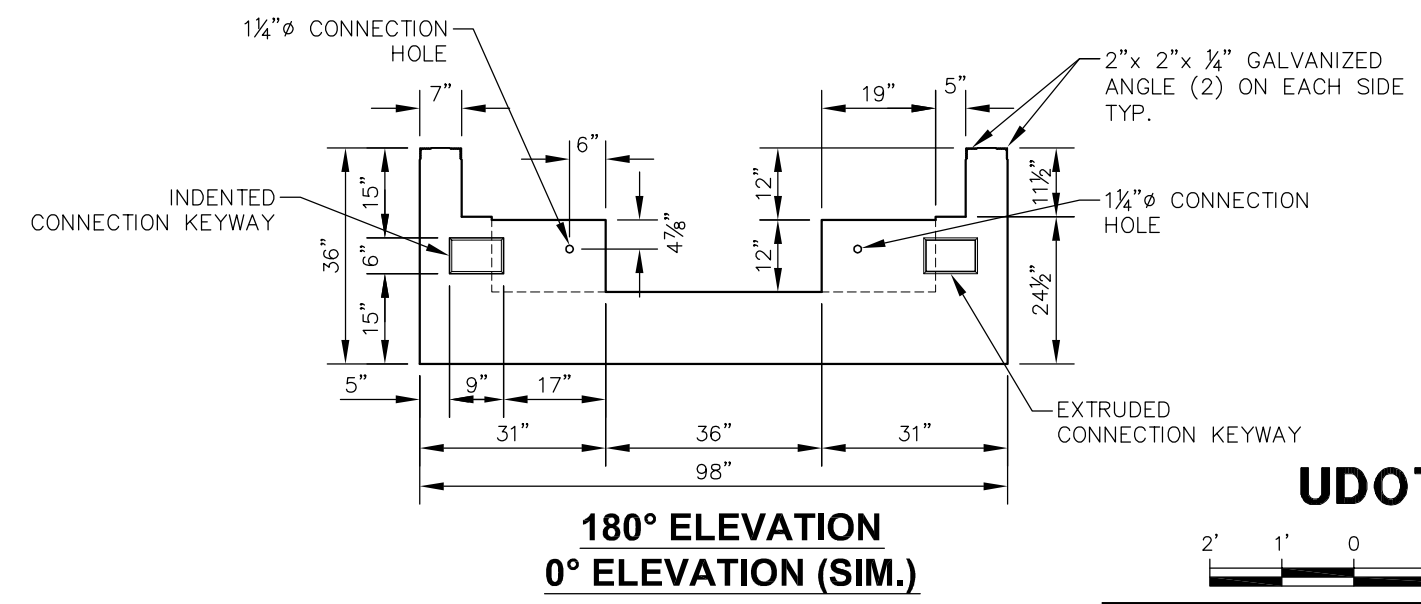
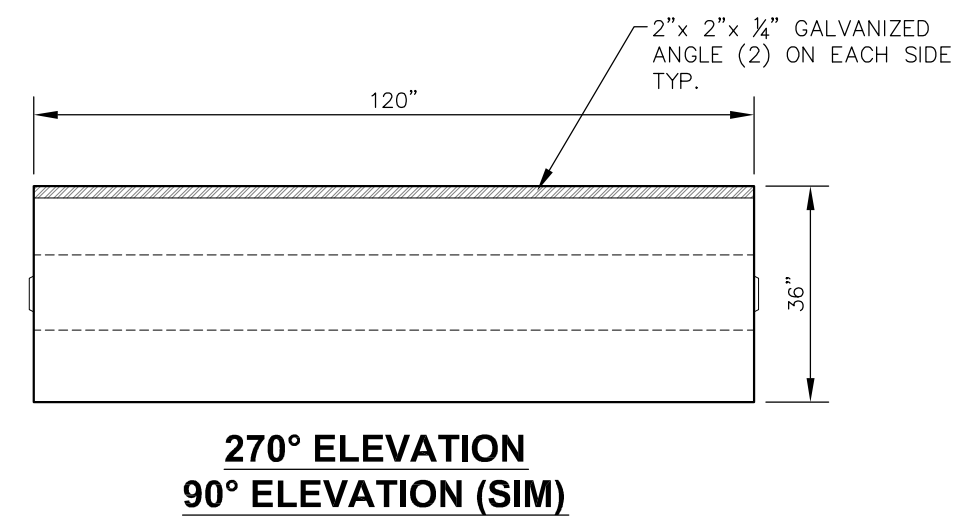
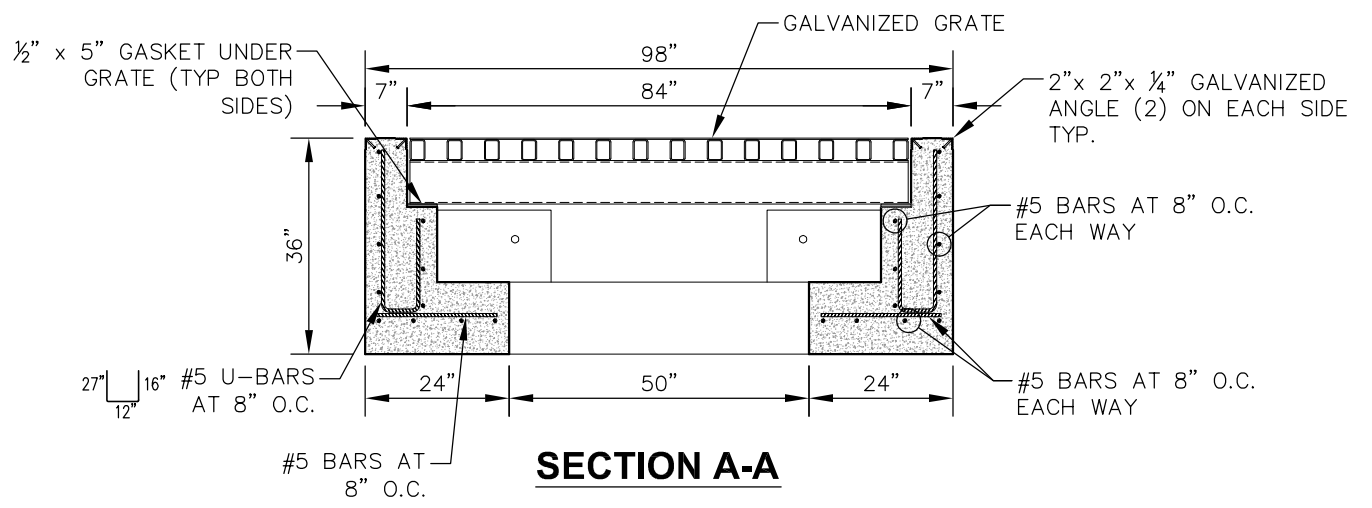
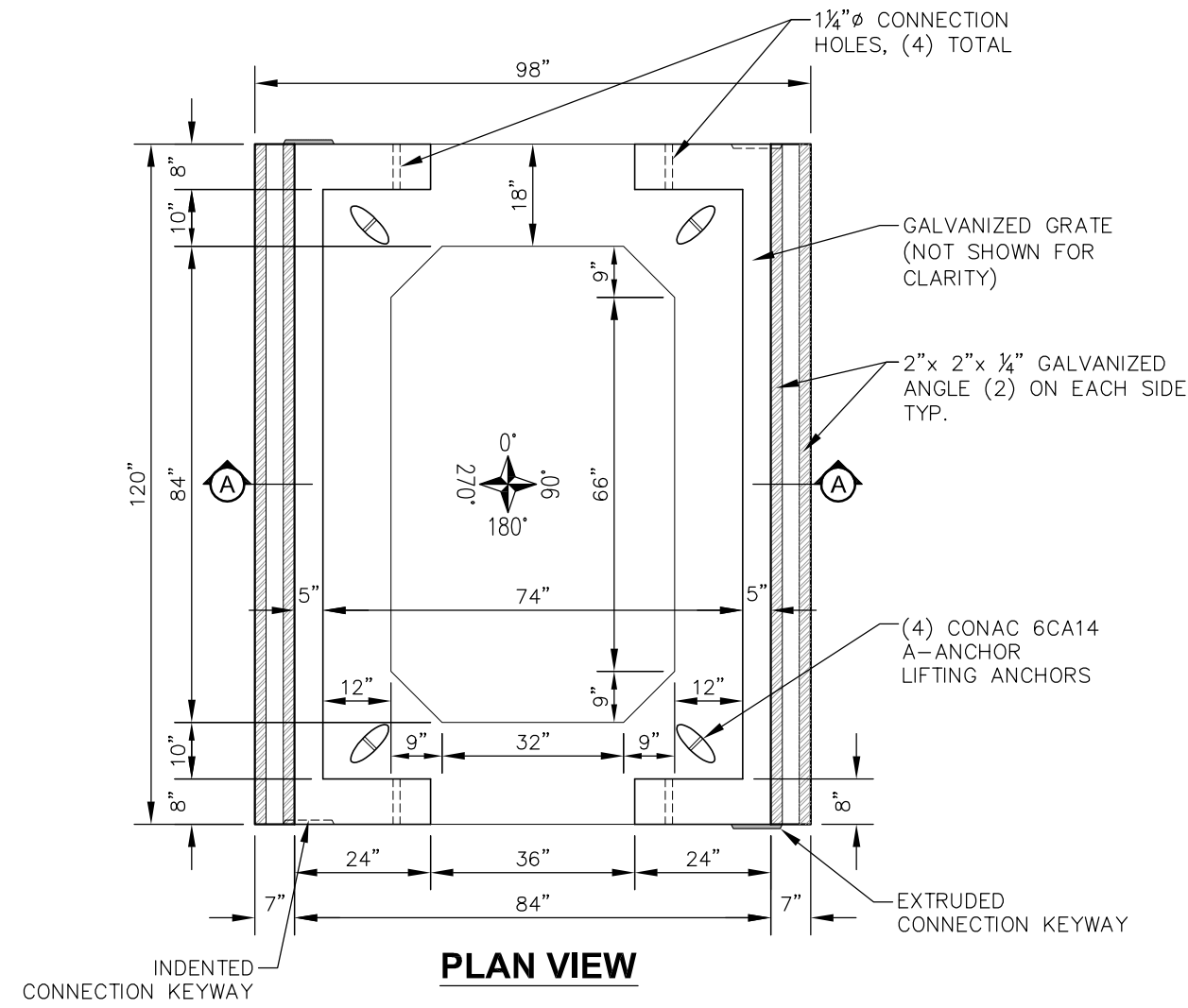
UDOT SPECS



- NOTES:**
1. CLASS AA (AE) CONCRETE ($f_c = 4,000$ PSI)
 2. USE TYPE II/V CEMENT (LOW ALKALI)
 3. ALL REINFORCING SHALL BE HOT-DIPPED GALVANIZED CONFORMING TO AASHTO M111
 4. PROVIDE 2" CLEAR COVER TO ALL STEEL
 5. SPLICE LAP FOR #5 BAR = 30"

WEIGHTS	
BASE SECTION	15,950
12' GRATE	2,150
TOTAL	18,100

	SHEET: 12' CATTLE GUARD END SECTION			
	SCALE: AS SHOWN	DRAWN: MTK	QTY: -	
	DATE: 5/25/2011	TITAN #: -		
PROJECT: STANDARD DETAIL				
CONTRACTOR: GENEVA PIPE		Sheet 1 of 1		
LOCATION: WAHSINGTON, UTAH				

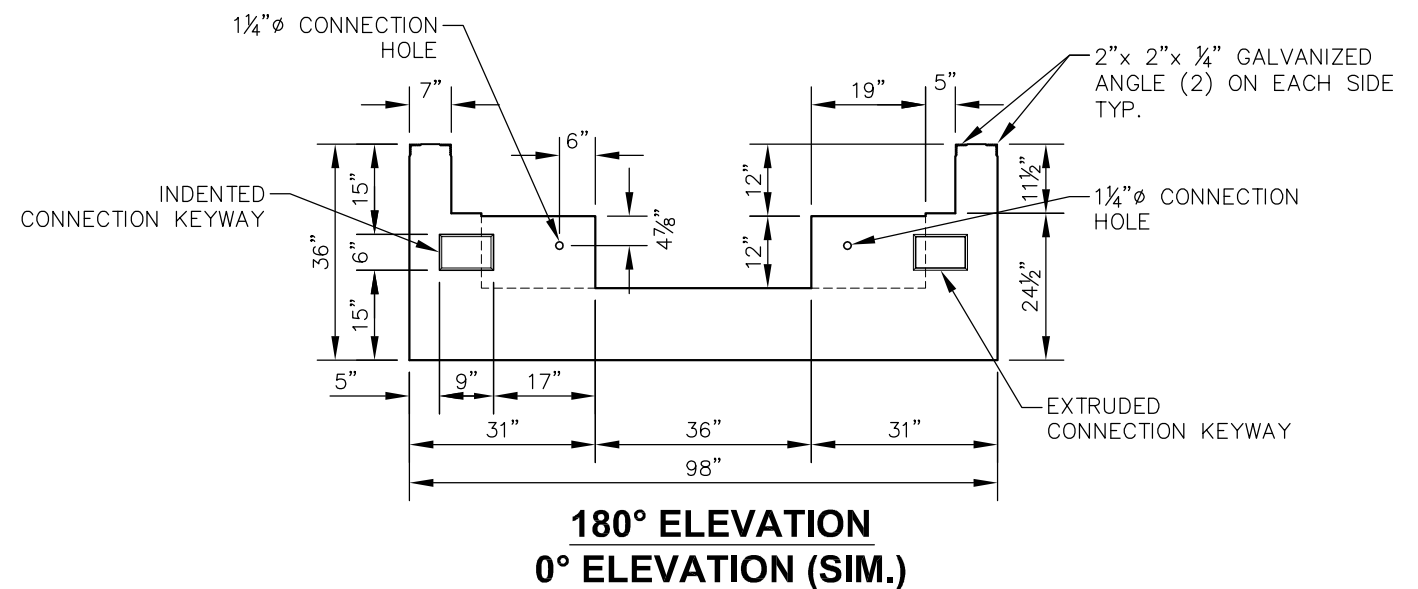
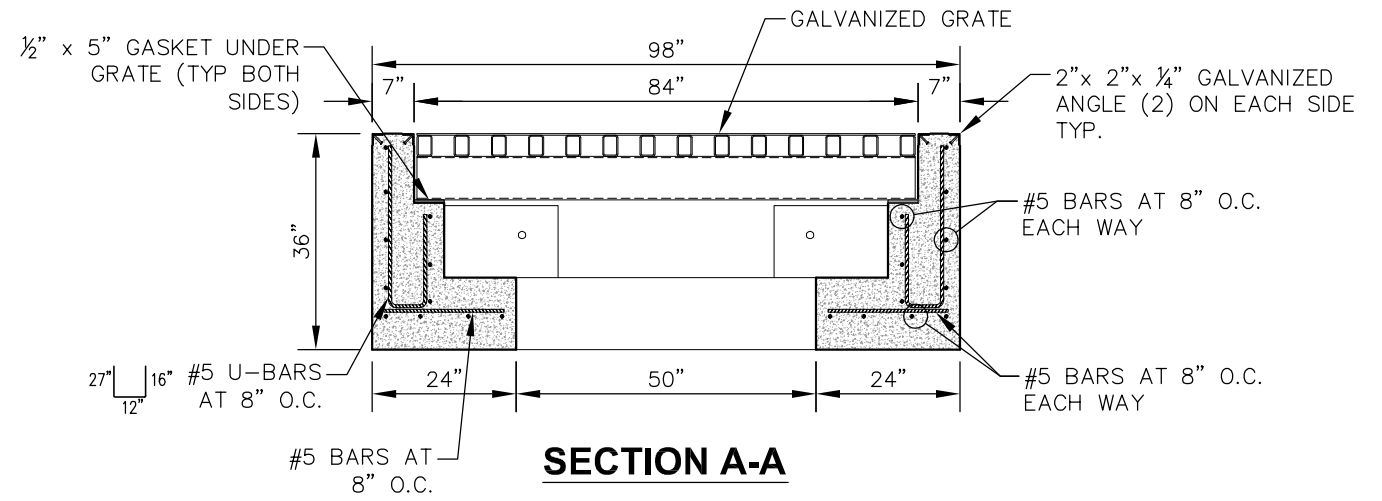
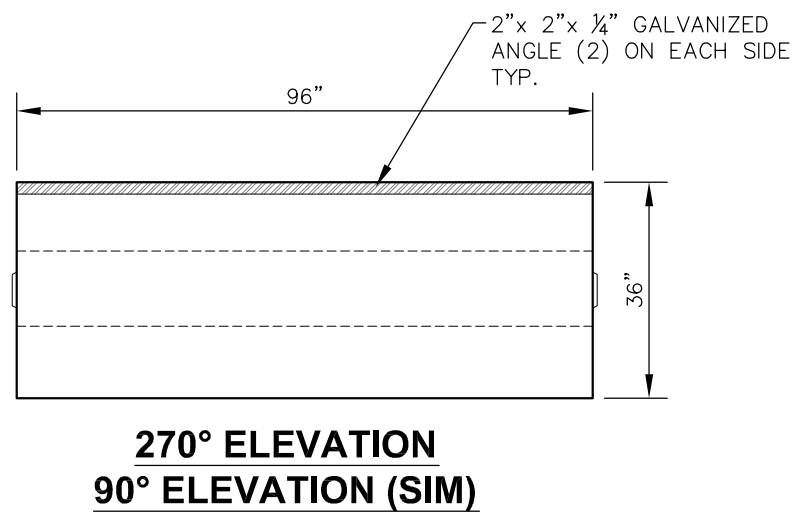
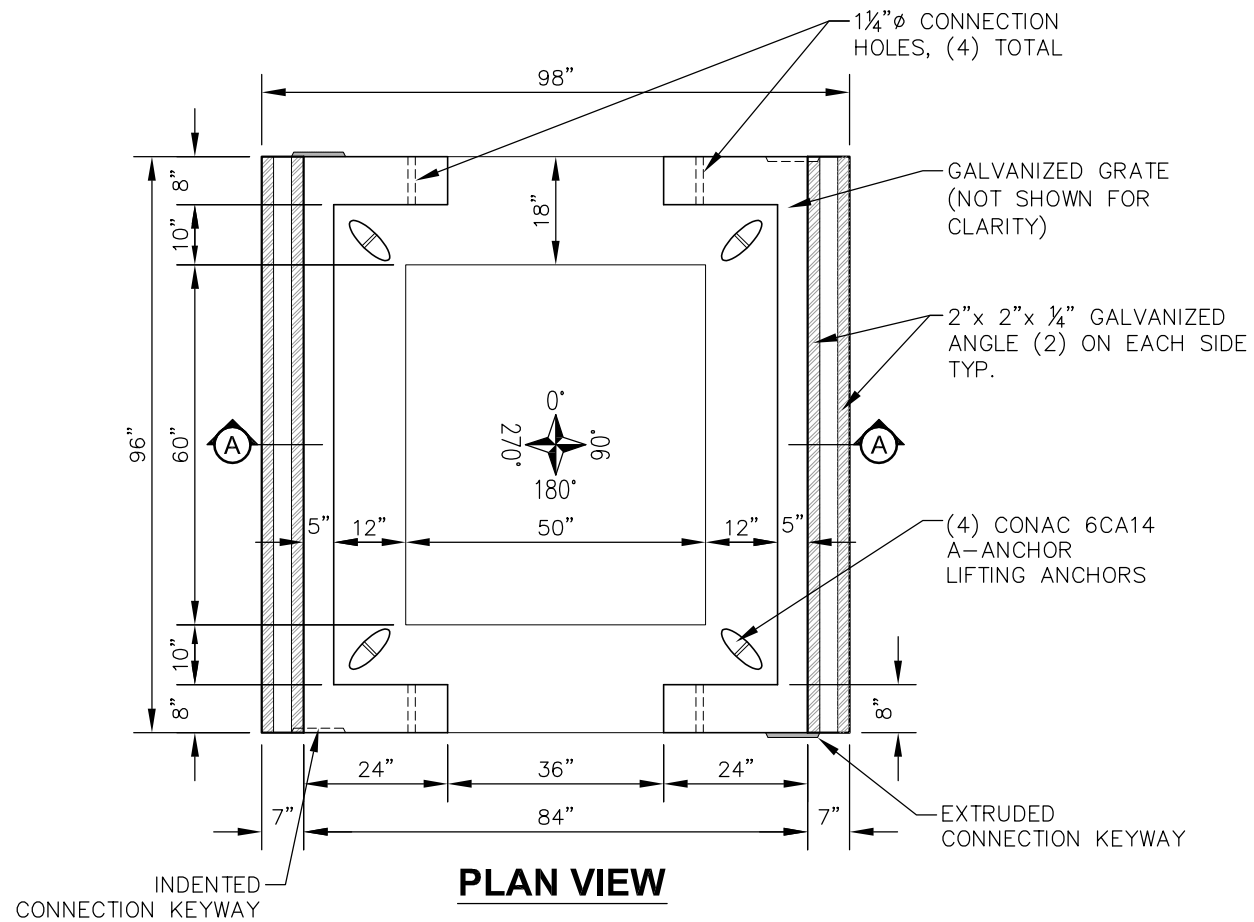


- NOTES:**
1. CLASS AA (AE) CONCRETE ($f_c = 4,000$ PSI)
 2. USE TYPE II/V CEMENT (LOW ALKALI)
 3. ALL REINFORCING SHALL BE HOT-DIPPED GALVANIZED CONFORMING TO AASHTO M111
 4. PROVIDE 2" CLEAR COVER TO ALL STEEL
 5. SPLICE LAP FOR #5 BAR = 30"

WEIGHTS	
BASE SECTION	12,250
10' GRATE	1,775
TOTAL	14,025



	SHEET: 10' CATTLE GUARD			
	SCALE: AS SHOWN	DRAWN: MTK	QTY: -	
	DATE: 5/25/2011	TITAN #: -		
PROJECT: STANDARD DETAIL				
CONTRACTOR: GENEVA PIPE		Sheet 1 of 1		
LOCATION: WAHSINGTON, UTAH				



UDOT SPECS



NOTES:

1. CLASS AA (AE) CONCRETE (f_c = 4,000 PSI)
2. USE TYPE II/V CEMENT (LOW ALKALI)
3. ALL REINFORCING SHALL BE HOT-DIPPED GALVANIZED CONFORMING TO AASHTO M111
4. PROVIDE 2" CLEAR COVER TO ALL STEEL
5. SPLICE LAP FOR #5 BAR = 30"

WEIGHTS	
BASE SECTION	11,150
8' GRATE	1,425
TOTAL	12,575

	SHEET: 8' CATTLE GUARD			
	SCALE: AS SHOWN	DRAWN: MTK	QTY: -	
	DATE: 5/25/2011	TITAN #: -		
PROJECT: STANDARD DETAIL				
CONTRACTOR: GENEVA PIPE		Sheet 1 of 1		
LOCATION: WAHSINGTON, UTAH				