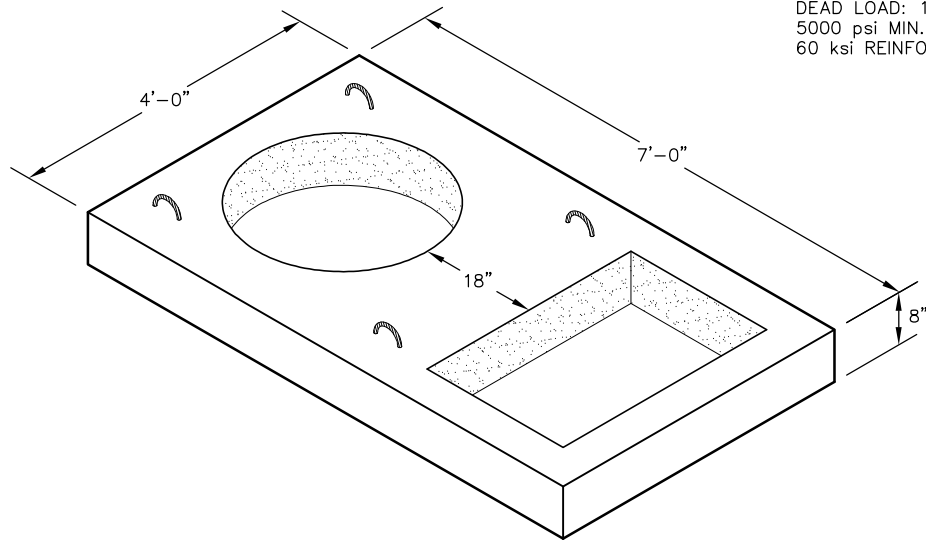
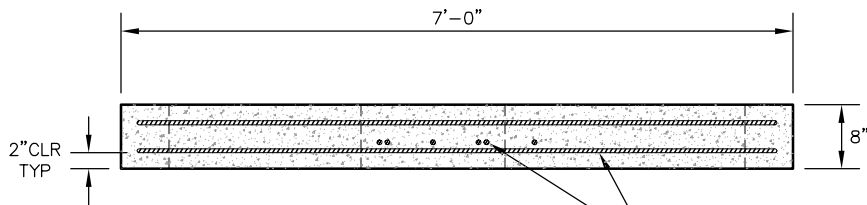


DESIGN CRITERIA
 LIVE LOAD: HS-20
 DEAD LOAD: 1'-0" COVER
 5000 psi MIN. CONCRETE
 60 ksi REINFORCING BARS

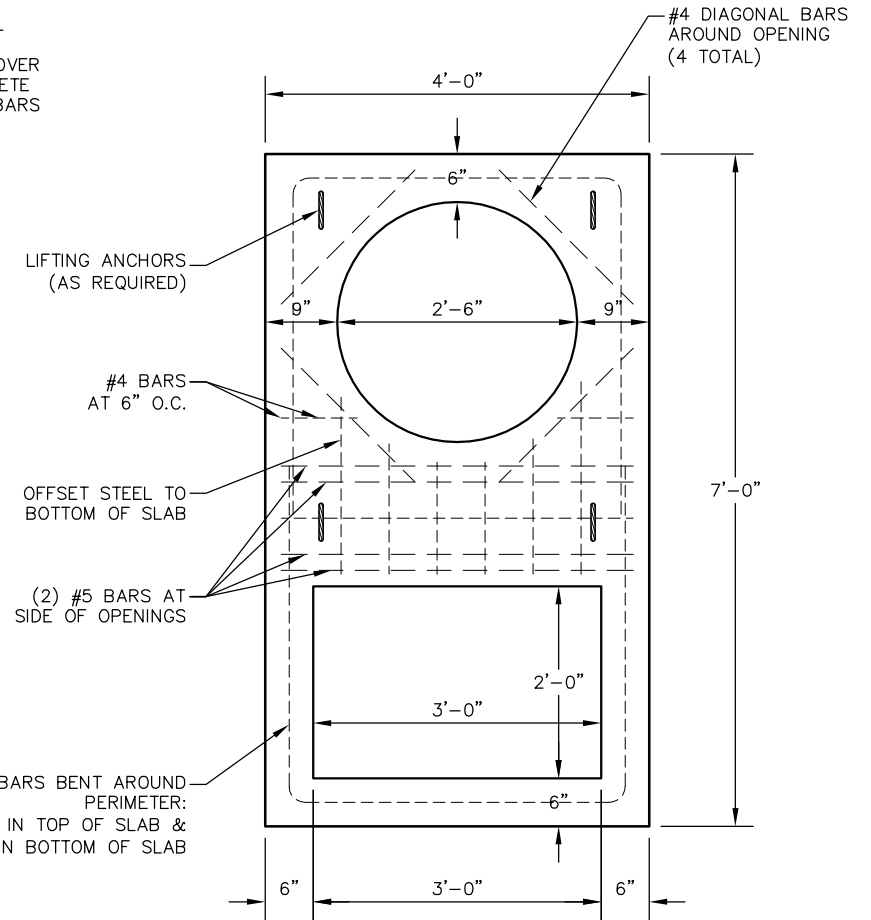


ISOMETRIC VIEW



SECTION VIEW


OFFSET STEEL TO
BOTTOM OF SLAB



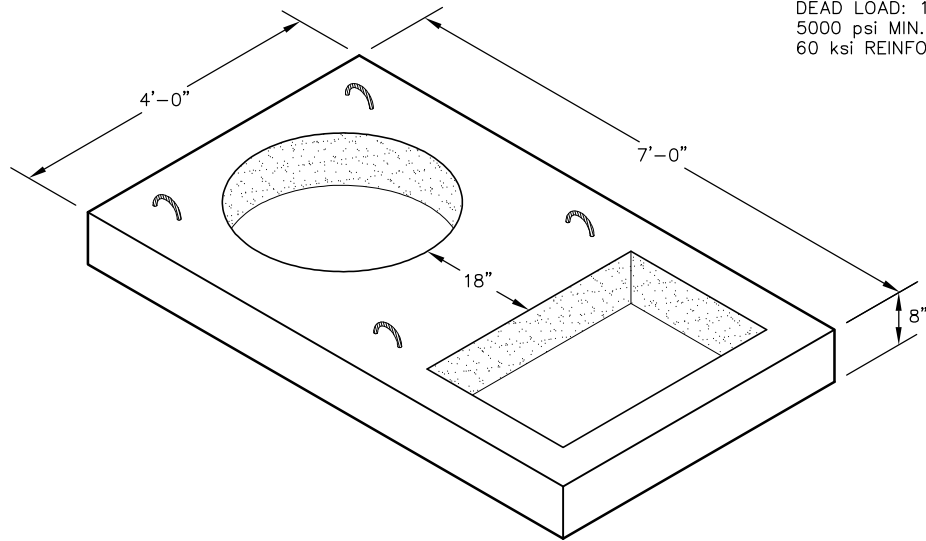
LID PLAN VIEW

NOTES:

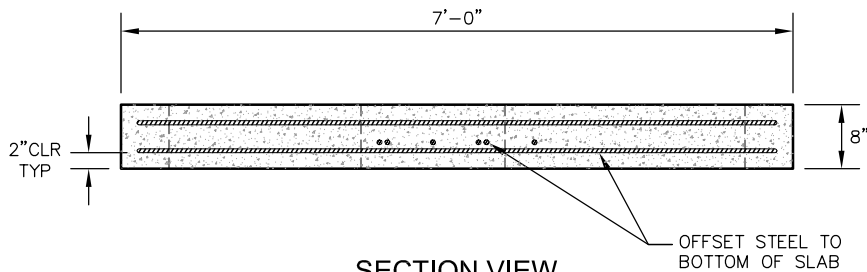
1. LID WEIGHT = 1,725 LBS.
2. LID DESIGNED TO MEET ASTM C-858
3. LIFTING ANCHOR TYPE AND PLACEMENT AS REQUIRED.

 GENEVA PIPE <small>Concrete products. concrete reliability.</small>	SHEET: 3' x 6' COMBO BOX LID		
	SCALE: N.T.S.	DRAWN: MTK	
	DATE: 8/12/11	TITAN #:	-
PROJECT: STANDARD DRAWING			
LOCATION: SALT LAKE - OREM - ST.GEORGE		Sheet 1	

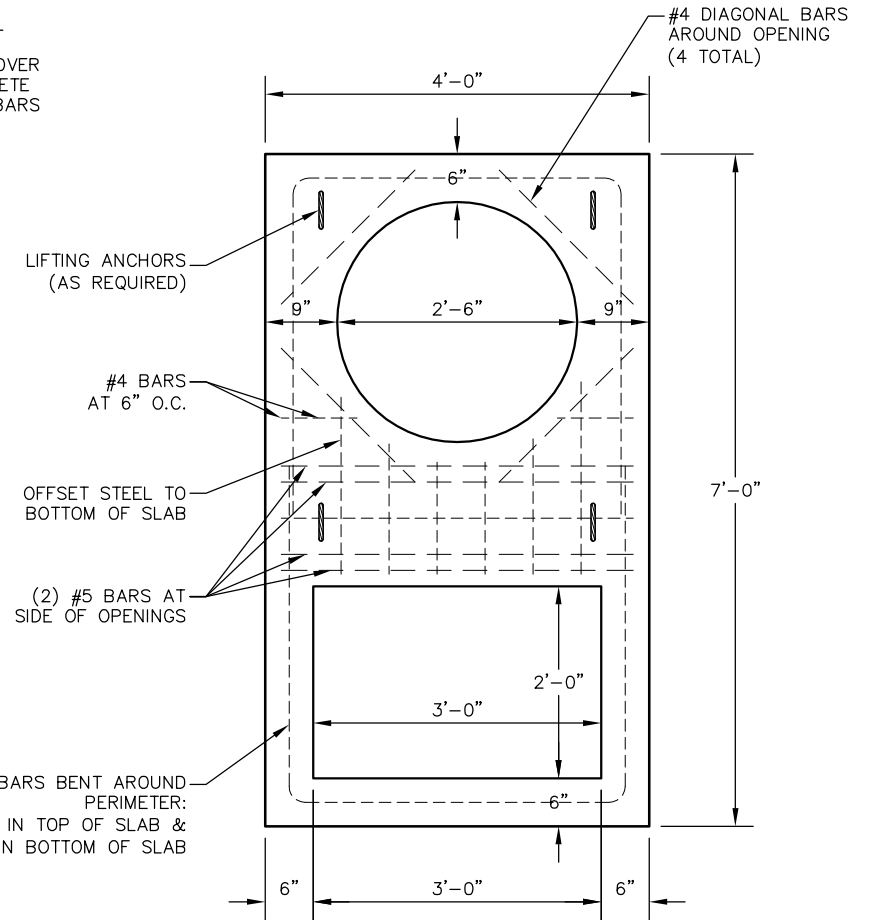
DESIGN CRITERIA
 LIVE LOAD: HS-20
 DEAD LOAD: 1'-0" COVER
 5000 psi MIN. CONCRETE
 60 ksi REINFORCING BARS



ISOMETRIC VIEW




SECTION VIEW



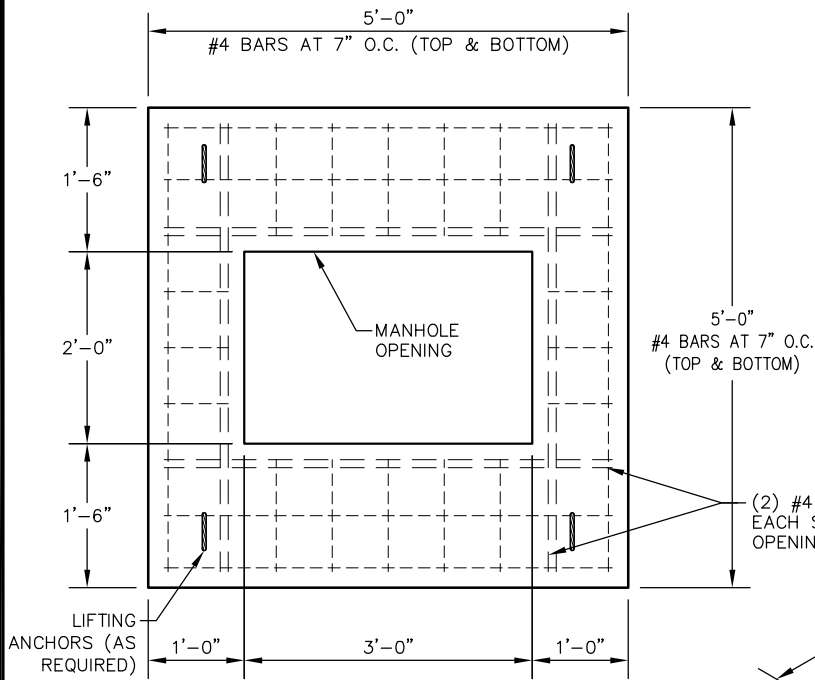
LID PLAN VIEW

NOTES:

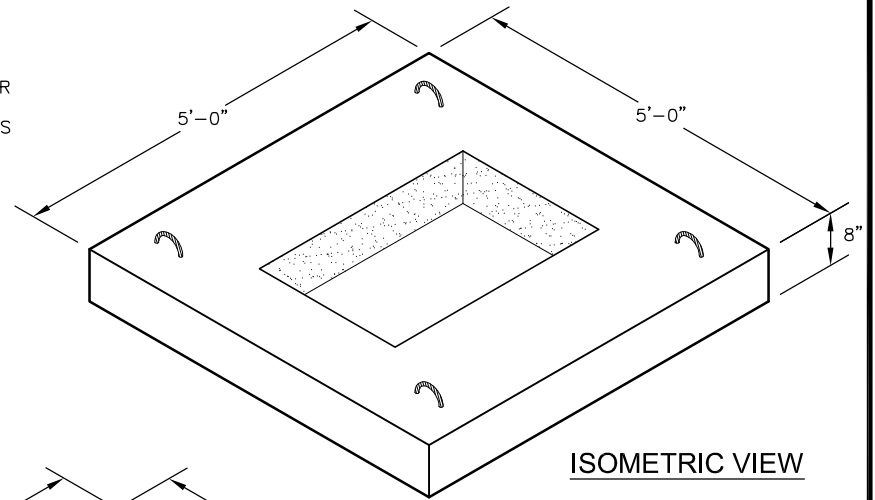
1. LID WEIGHT = 1,725 LBS.
2. LID DESIGNED TO MEET ASTM C-858
3. LIFTING ANCHOR TYPE AND PLACEMENT AS REQUIRED.

 GENEVA PIPE <small>Concrete products. concrete reliability.</small>	SHEET: 3' x 6' COMBO BOX LID		
	SCALE: N.T.S.	DRAWN: MTK	
	DATE: 8/12/11	TITAN #:	-
PROJECT: STANDARD DRAWING			
LOCATION: SALT LAKE - OREM - ST.GEORGE		Sheet 1	

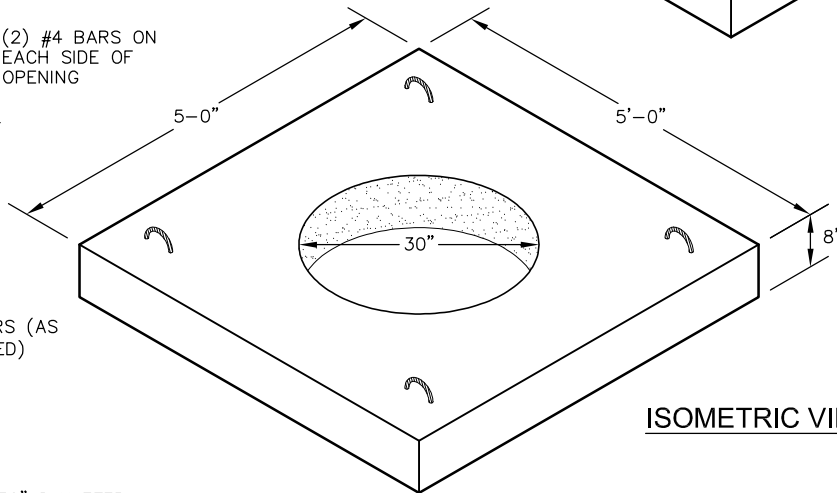
DESIGN CRITERIA
 LIVE LOAD: HS-20
 DEAD LOAD: 1'-0" COVER
 4000 psi MIN. CONCRETE
 60 ksi REINFORCING BARS



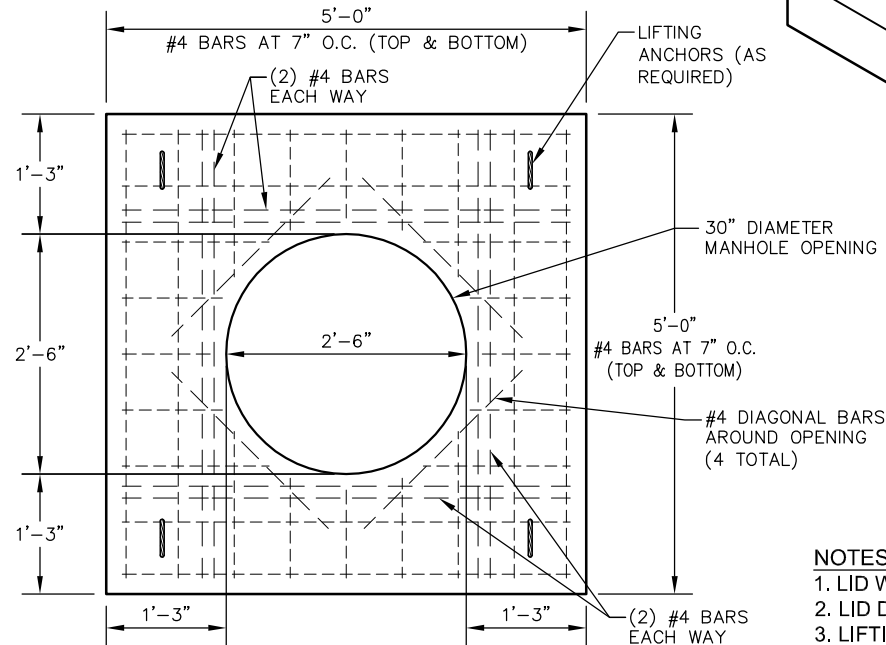
LID PLAN VIEW



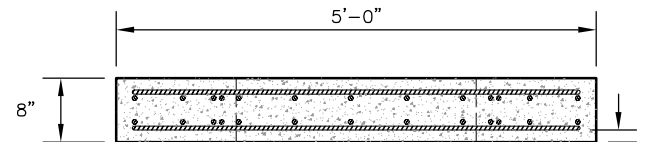
ISOMETRIC VIEW



ISOMETRIC VIEW




LID PLAN VIEW

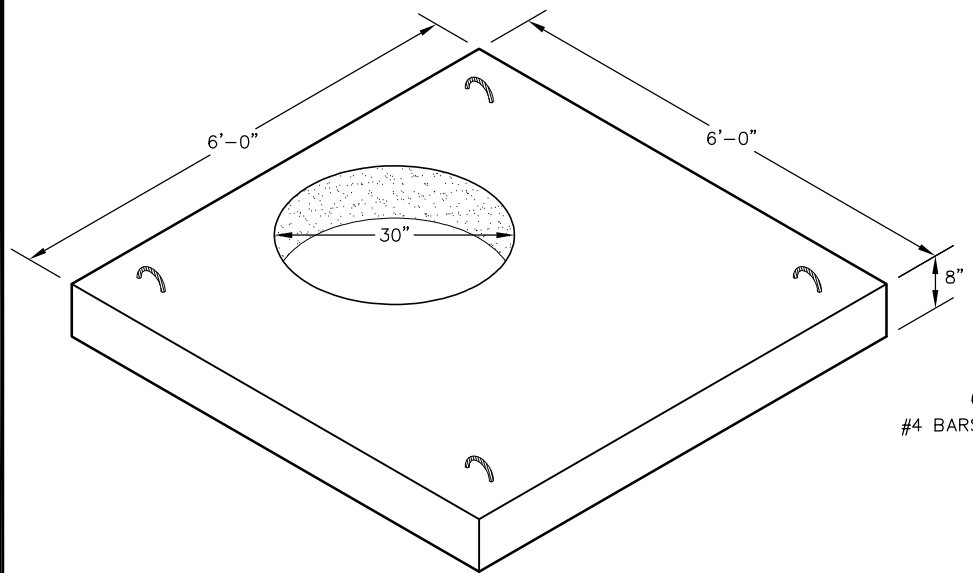


SECTION VIEW

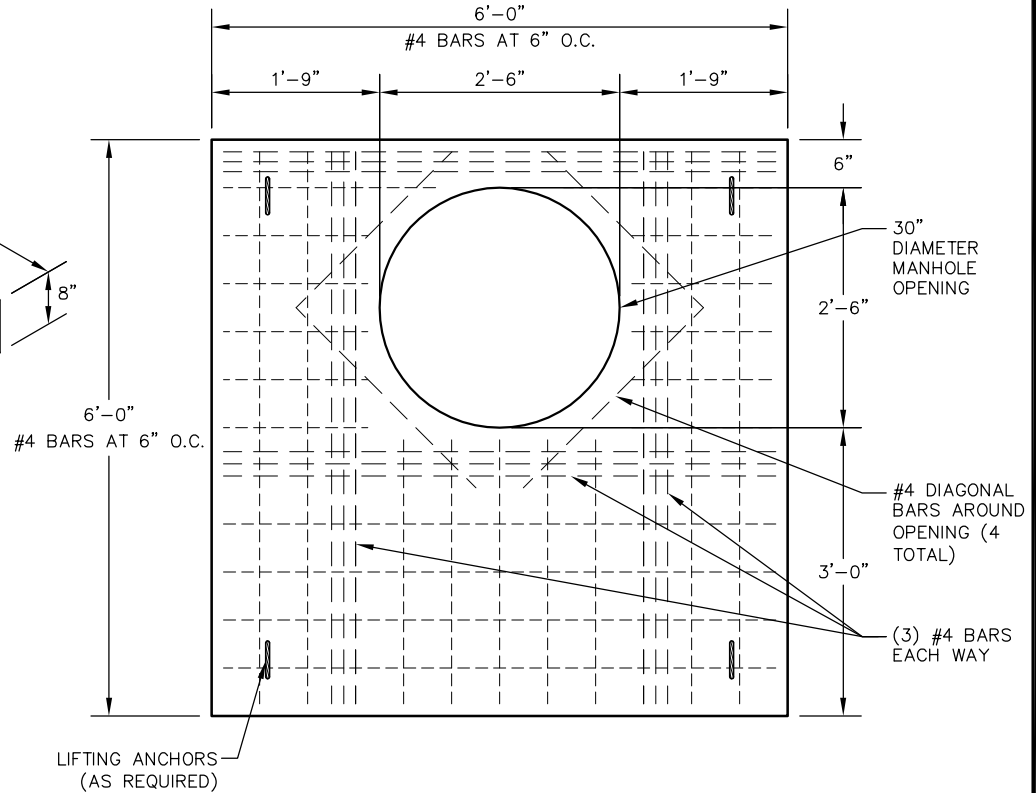
- NOTES:**
1. LID WEIGHT = 2,025 LBS.
 2. LID DESIGNED TO MEET ASTM C-858
 3. LIFTING ANCHOR TYPE AND PLACEMENT AS REQUIRED.

 GENEVA PIPE <small>Concrete products. concrete reliability.</small>	SHEET: 4' x 4' CATCH BASIN LID		
	SCALE: N.T.S.	DRAWN: MTK	
PROJECT:	DATE: 8/12/11	TITAN #:	-
STANDARD DRAWING			
LOCATION: SALT LAKE - OREM - ST.GEORGE	Sheet 1		

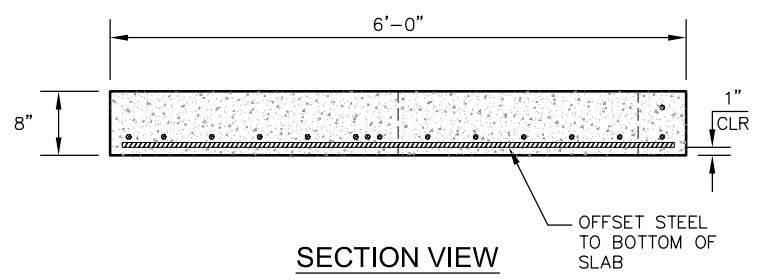
DESIGN CRITERIA
 LIVE LOAD: HS-20
 DEAD LOAD: 1'-0" COVER
 4000 psi MIN. CONCRETE
 60 ksi REINFORCING BARS



ISOMETRIC VIEW




LID PLAN VIEW



SECTION VIEW

- NOTES:**
1. LID WEIGHT = 3,125 LBS.
 2. LID DESIGNED TO MEET ASTM C-858
 3. LIFTING ANCHOR TYPE AND PLACEMENT AS REQUIRED.

 GENEVA PIPE <small>Concrete products. concrete reliability.</small>	SHEET: 5' x 5' CATCH BASIN LID		
	SCALE: N.T.S.	DRAWN: MTK	
PROJECT:	DATE: 8/12/11	TITAN #:	-
STANDARD DRAWING			
LOCATION: SALT LAKE - OREM - ST.GEORGE	Sheet 1		