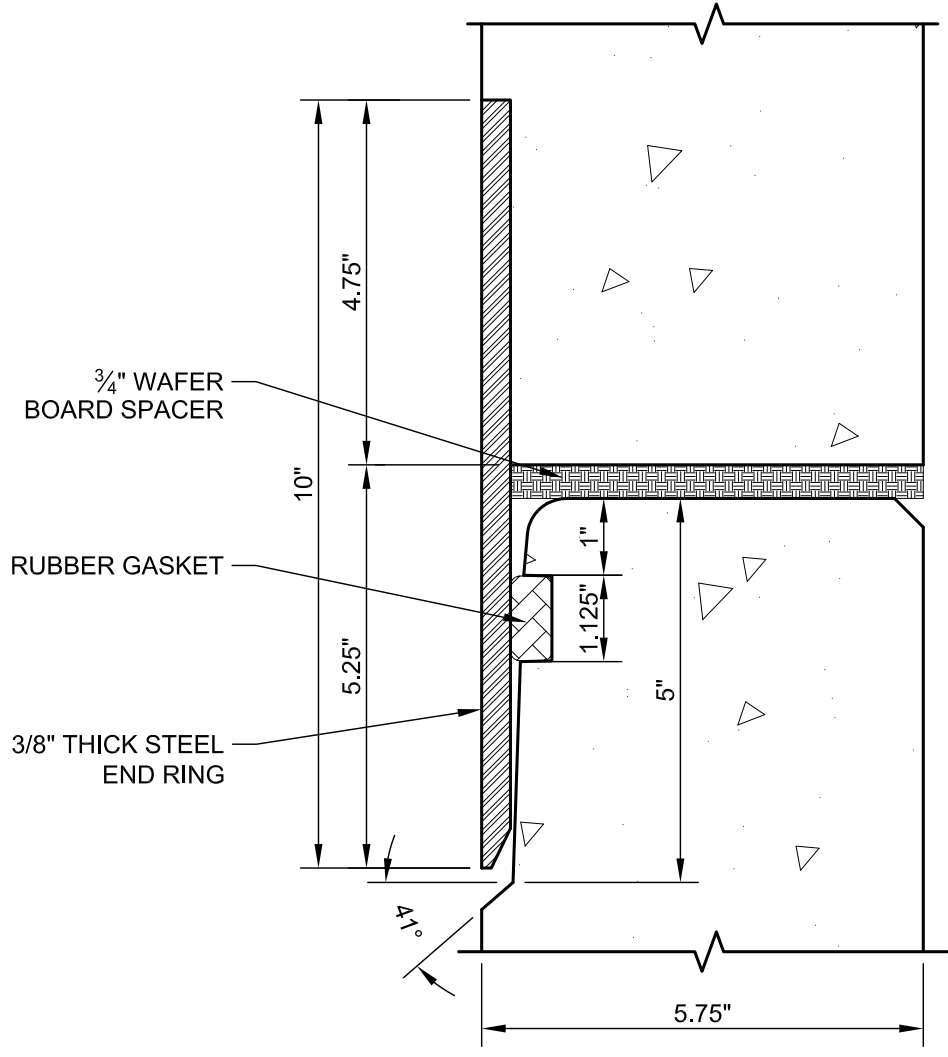


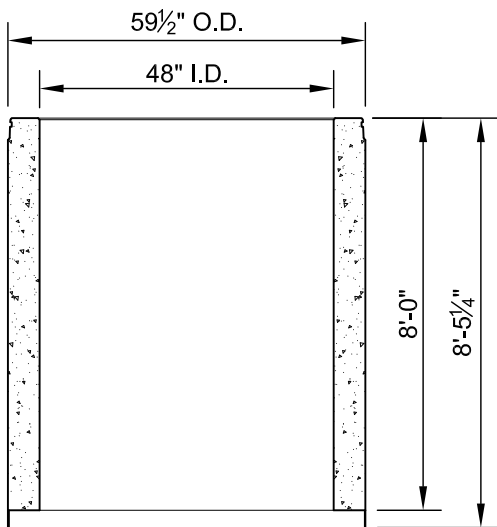
48" C-WALL DIRECT JACKING

CONCRETE PIPE

RCP ASTM C-76-III, IV, V



JOINT DETAIL



SECTION VIEW

WEIGHT EACH
PIECE = 8,200 LB



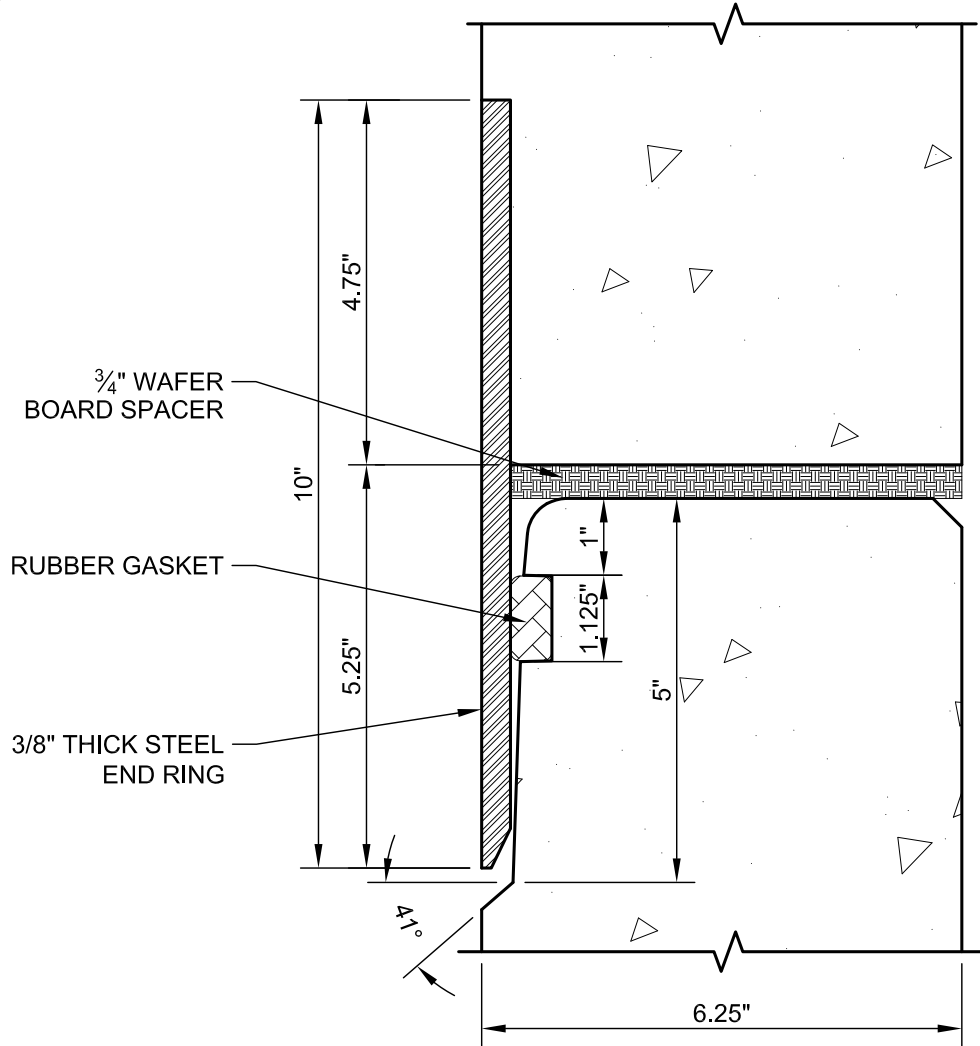
GENEVA PIPE
Concrete products, concrete reliability

Orem, Utah	801-225-2416
Salt Lake, Utah	801-225-2416
Las Vegas, Nevada	702-864-2620
Hurricane, Utah	435-635-9255

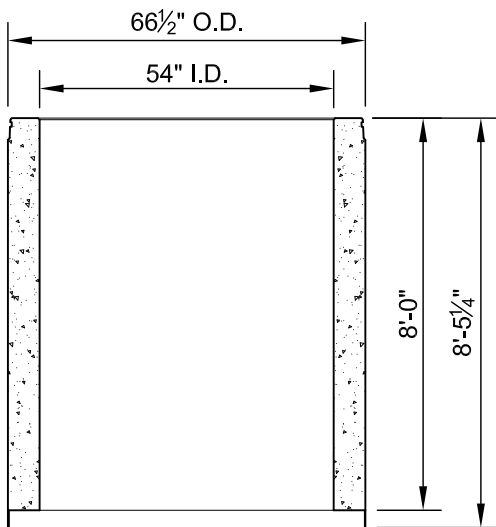
54" C-WALL DIRECT JACKING

CONCRETE PIPE

RCP ASTM C-76-III, IV, V



JOINT DETAIL



SECTION VIEW

WEIGHT EACH
PIECE = 9,860 LB



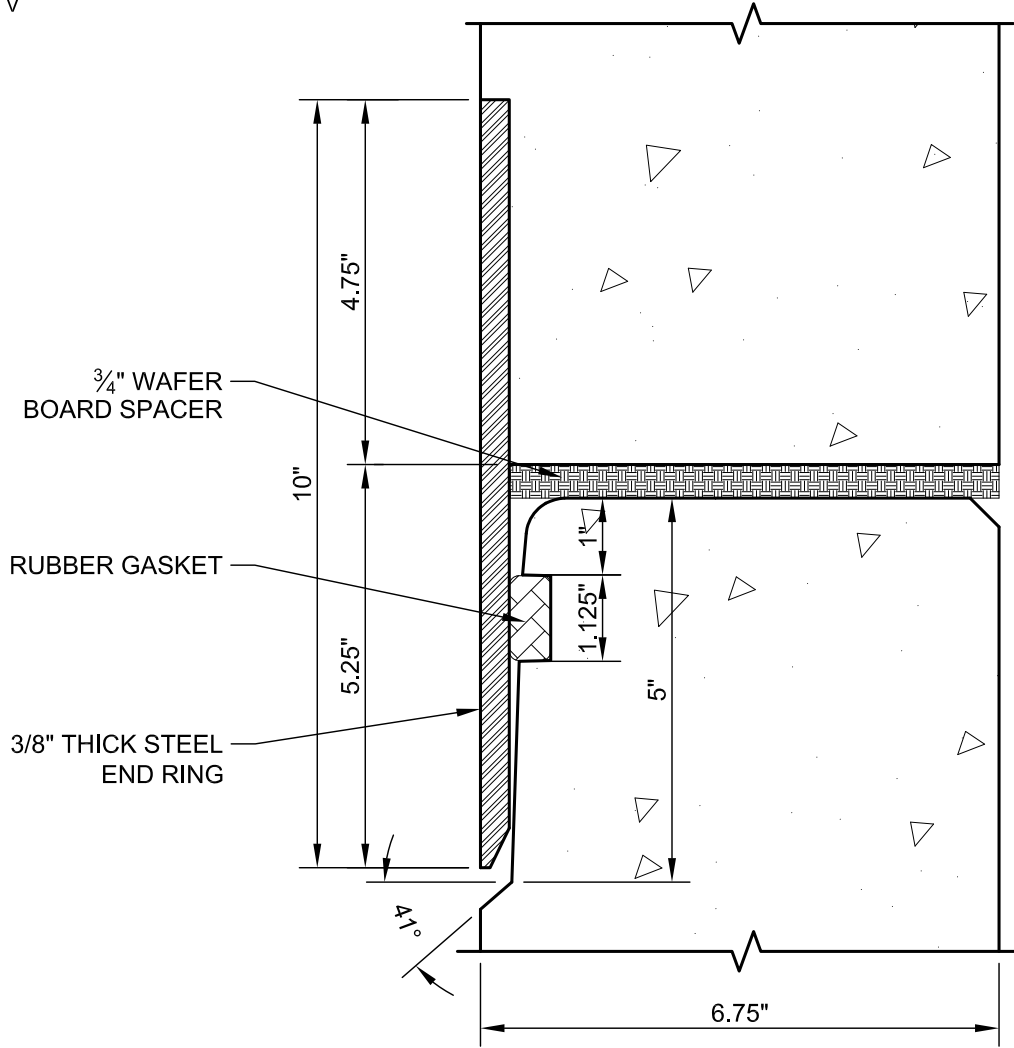
GENEVA PIPE
Concrete products, concrete reliability

Orem, Utah	801-225-2416
Salt Lake, Utah	801-225-2416
Las Vegas, Nevada	702-864-2620
Hurricane, Utah	435-635-9255

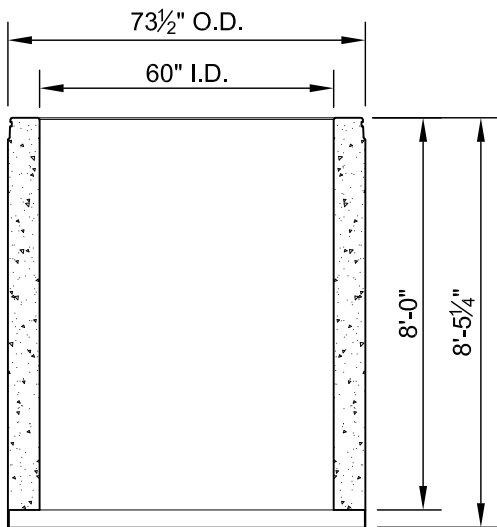
60" C-WALL DIRECT JACKING

CONCRETE PIPE

RCP ASTM C-76-III, IV, V



JOINT DETAIL



SECTION VIEW

WEIGHT EACH
PIECE = 11,800 LB



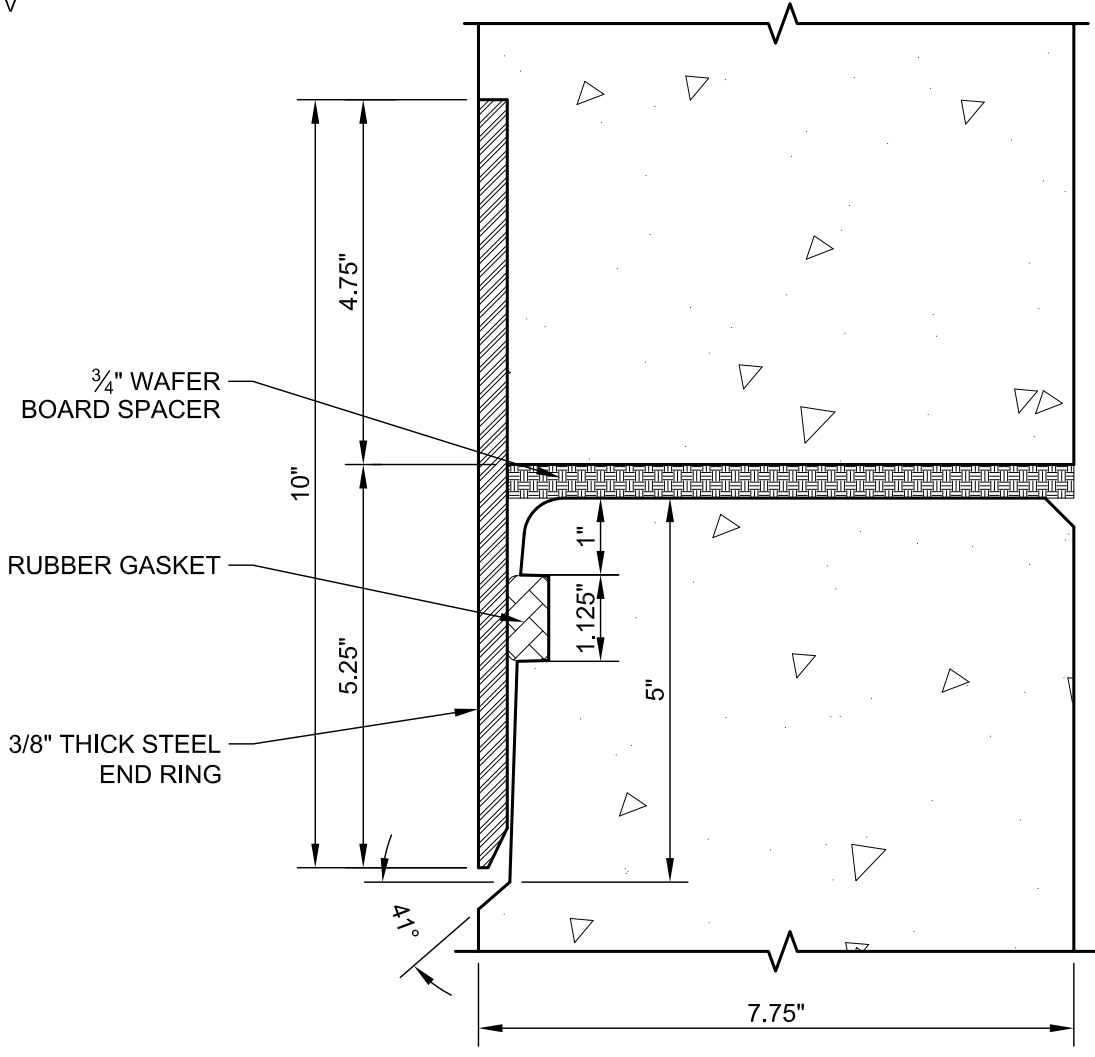
GENEVA PIPE
Concrete products, concrete reliability

Orem, Utah	801-225-2416
Salt Lake, Utah	801-225-2416
Las Vegas, Nevada	702-864-2620
Hurricane, Utah	435-635-9255

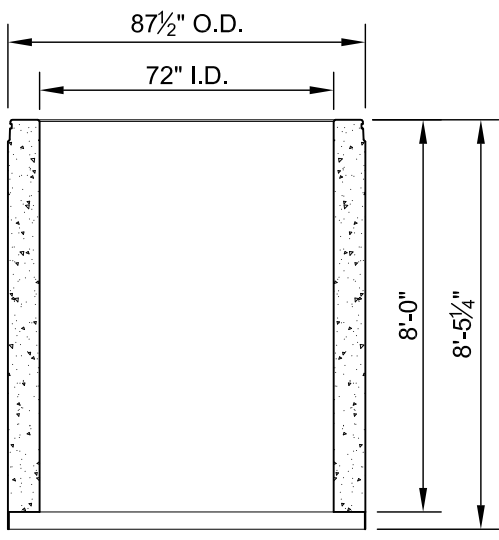
72" C-WALL DIRECT JACKING

CONCRETE PIPE

RCP ASTM C-76-III, IV, V



JOINT DETAIL



SECTION VIEW

WEIGHT EACH
PIECE = 16,200 LB



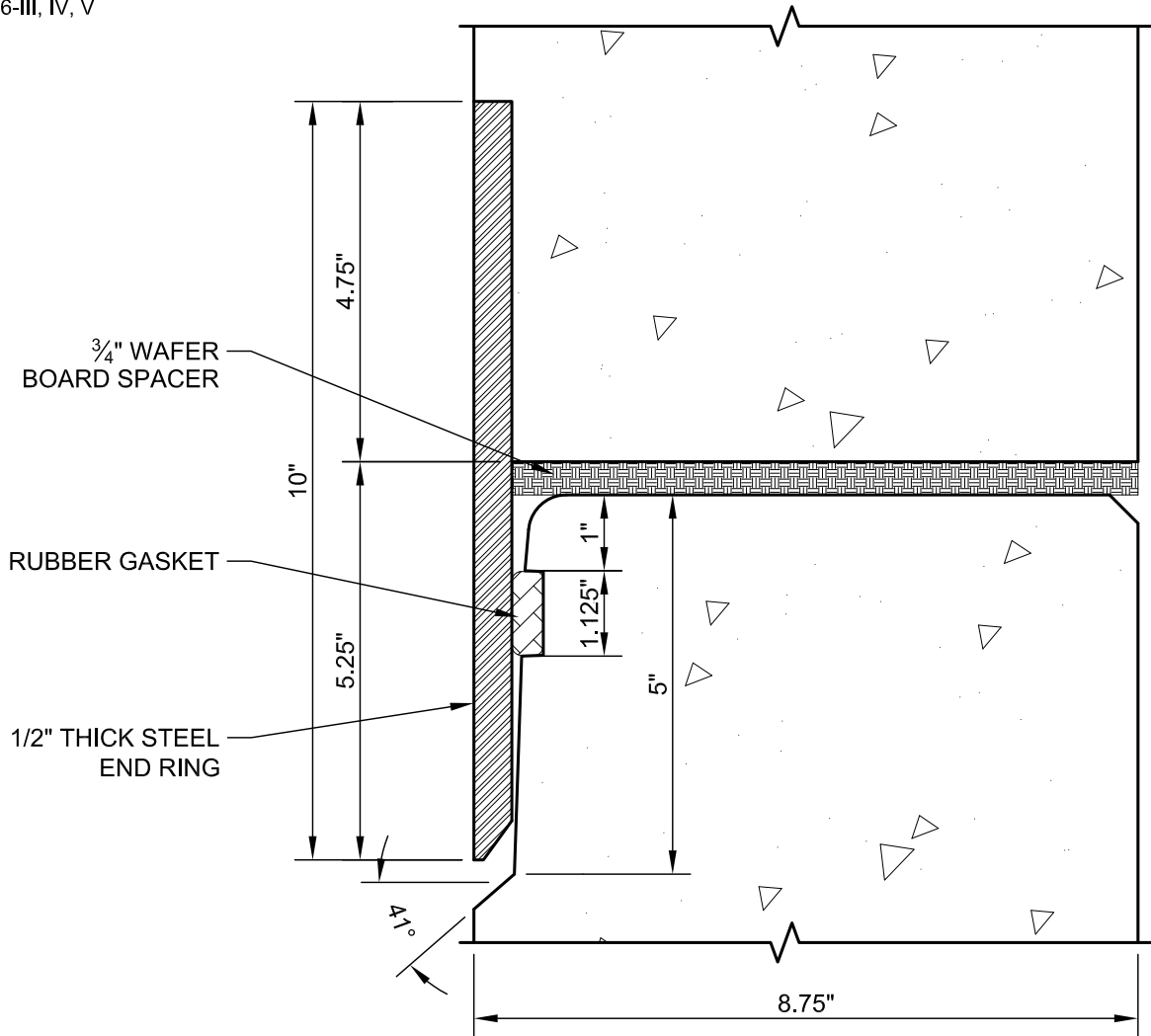
GENEVA PIPE
Concrete products, concrete reliability

Orem, Utah	801-225-2416
Salt Lake, Utah	801-225-2416
Las Vegas, Nevada	702-864-2620
Hurricane, Utah	435-635-9255

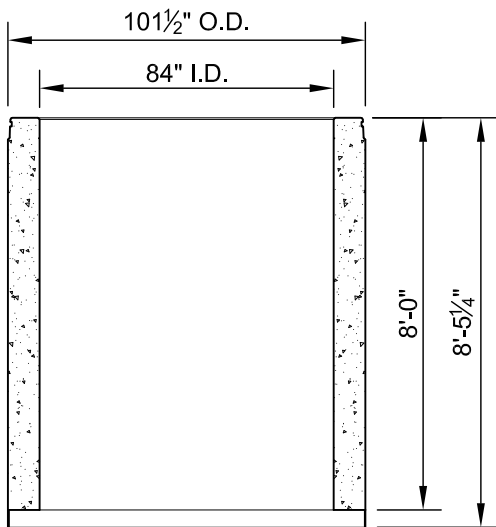
84" C-WALL DIRECT JACKING

CONCRETE PIPE

RCP ASTM C-76-III, IV, V



JOINT DETAIL



SECTION VIEW

WEIGHT EACH
PIECE = 21,100 LB



GENEVA PIPE
Concrete products, concrete reliability

Orem, Utah	801-225-2416
Salt Lake, Utah	801-225-2416
Las Vegas, Nevada	702-864-2620
Hurricane, Utah	435-635-9255